



# Thomas Parts Manual



**85 Skid Steer Loader**  
**S/N LB002500 Onward**

*Publication Number* **052745SP**

# 85 PARTS

## A. WARRANTY

## B. S/N TAGS

### 1. MAINFRAME

Fuel System .....	1.1
Rear Door .....	1.2
Quick-Tach .....	1.3
Lift Arms and Pivot Pins .....	1.4
ROPS .....	1.5
Boom Supports and Dash Panel .....	1.6
Shields, Seat and Seat Belt .....	1.7
Insulation (CE only).....	1.8
Decals and Paint .....	1.9
Wheels and Tires .....	1.10

### 2. CONTROLS

Control Levers, Hand & Foot Control .....	2.1
Control Levers, Hand Control .....	2.2
Foot Pedals .....	2.3
Throttle .....	2.4
Restraint Bar .....	2.5
Parking Brake .....	2.6

### 3. FINAL DRIVE TRANSMISSION

Axle, Chain and Sprocket Assembly .....	3.1
---	-----

### 4. HYDRAULIC SYSTEM

Oil Reservoir and Filter .....	4.1
Boom Lift Circuit .....	4.2
Lift Cylinder .....	4.3
Bucket Tilt Circuit .....	4.4
Tilt Cylinder .....	4.5
Auxiliary Circuit .....	4.6
Control Valve, No Auxiliary (Up to S/N LB002671, excluding LB002578).....	4.7(A)
Control Valve, Manual Auxiliary (Up to S/N LB002671, excluding LB002578) .....	4.7(B)
Control Valve, Electric Auxiliary (Up to S/N LB002671, excluding LB002578).....	4.7(C)
Control Valve, Manual Auxiliary (S/N LB002672 onward & S/N LB002578).....	4.7(D)
Control Valve, Electric Auxiliary (S/N LB002672 onward & S/N LB002578).....	4.7(E)
Gear Pump .....	4.8

### 5. HYDROSTATIC DRIVE SYSTEM

Hydrostatic Drive Circuit .....	5.1
Hydrostatic Pump .....	5.2
Torque Motor .....	5.3

### 6. ELECTRICAL SYSTEM

Electrical Schematic, Engine .....	6.1
Electrical Schematic, ROPS .....	6.2

### 7. ENGINE EQUIPMENT

Exhaust System .....	7.1
Radiator and Engine Mounts .....	7.2
Air Cleaner .....	7.3
Universal Joint .....	7.4

### 8. OPTIONAL EQUIPMENT

Cab Door .....	8.1
Side Windows .....	8.2
Cab Heater .....	8.3
Top Window .....	8.4
Optional Wheel Equipment .....	8.5
Seat Belts .....	8.6
Cab Enclosure Kit .....	8.7
Cab Enclosure Kit, CE .....	8.8
Hand Control Kit .....	8.9
Cab Liner .....	8.10
Flat Face Coupling Kit .....	8.11
Adaptor Kit (Flat Face to Poppet) .....	8.12
Horn .....	8.13
Back-Up Alarm .....	8.14
Front Belly Pan .....	8.15
Block Heater .....	8.16
Light Kit .....	8.17
Driving Lamp Kit .....	8.18
Powerhouse Decal Kit .....	8.19
United Rental Decal Kit .....	8.20

### 9. QUICK REFERENCE MAINTENANCE LIST

### NUMERICAL INDEX

## LIABILITY WARRANTY

**THE WARRANTY IS THE ONLY OBLIGATION OF THOMAS OR A THOMAS DEALER TO THE PURCHASER OR ANYONE ELSE CONCERNING A PRODUCT, ITS SERVICE, ITS USE OR PERFORMANCE OR ITS LOSS OF USE OR FAILURE TO PERFORM. NEITHER THOMAS NOR A THOMAS DEALER HAVE MADE AND NEITHER WILL MAKE ANY OTHER EXPRESSED OR IMPLIED REPRESENTATION, WARRANTY OR AGREEMENT CONCERNING A PRODUCT. NEITHER THOMAS NOR A THOMAS DEALER HAVE MADE OR WILL MAKE ANY REPRESENTATION, WARRANTY OR AGREEMENT CONCERNING A PRODUCTS MERCHANTABILITY OR OTHER QUALITY, ITS SUITABILITY FOR PURCHASER'S PURPOSE (EVEN IF A PURCHASER HAS INFORMED THOMAS OR A THOMAS DEALER OF THAT PURPOSE), ITS DURABILITY, PERFORMANCE OR OTHER CONDITION.**

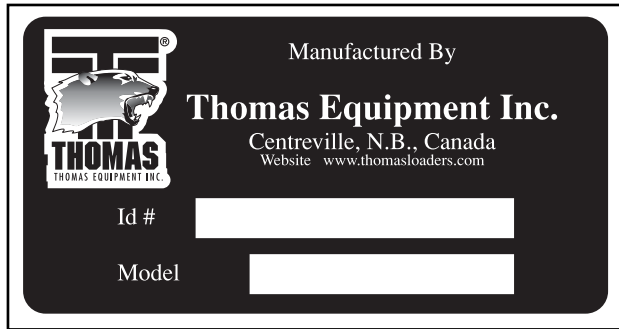
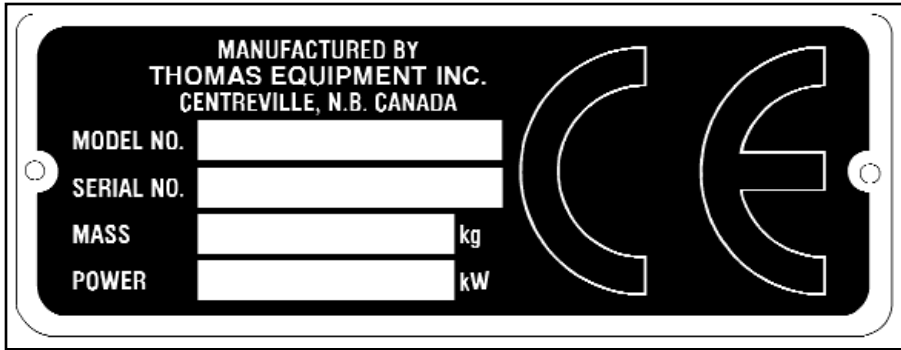
**EVEN IF THOMAS OR A THOMAS DEALER WAS ADVISE OF THE POSSIBILITY OF SUCH LOSS, NEITHER THOMAS NOR A THOMAS DEALER WILL BE LIABLE TO PURCHASER OR ANYONE ELSE FOR ANY INDIRECT, INCIDENTAL CONSEQUENTIAL, PUNITIVE, ECONOMIC, COMMERCIAL, OR SPECIAL LOSS WHICH IS IN ANY WAY ASSOCIATED WITH A PRODUCT. THIS INCLUDES ANY LOSS OF USE OR NON-PERFORMANCE OF A PRODUCT, ANY REPLACEMENT RENTAL OR ACQUISITION COST, ANY LOSS OF REVENUE OR PROFITS, ANY FAILURE TO REALIZE EXPECTED SAVINGS, ANY INTEREST COSTS, ANY IMPAIRMENT OF OTHER GOODS, ANY INCONVENIENCE OR ANY LIABILITY OF PURCHASER TO ANY OTHER PERSON.**

**PURCHASER MAY NOT ATTEMPT TO ENLARGE ITS RIGHTS UNDER THE WARRANTY BY MAKING A CLAIM FOR INDEMNITY, FOR BREACH OF CONTRACT, FOR BREACH OF COLLATERAL WARRANTY, FOR A TORT (INCLUDING NEGLIGENCE, MISREPRESENTATION OR STRICT LIABILITY) OR BY CLAIMING ANY OTHER CAUSE OF ACTION.**

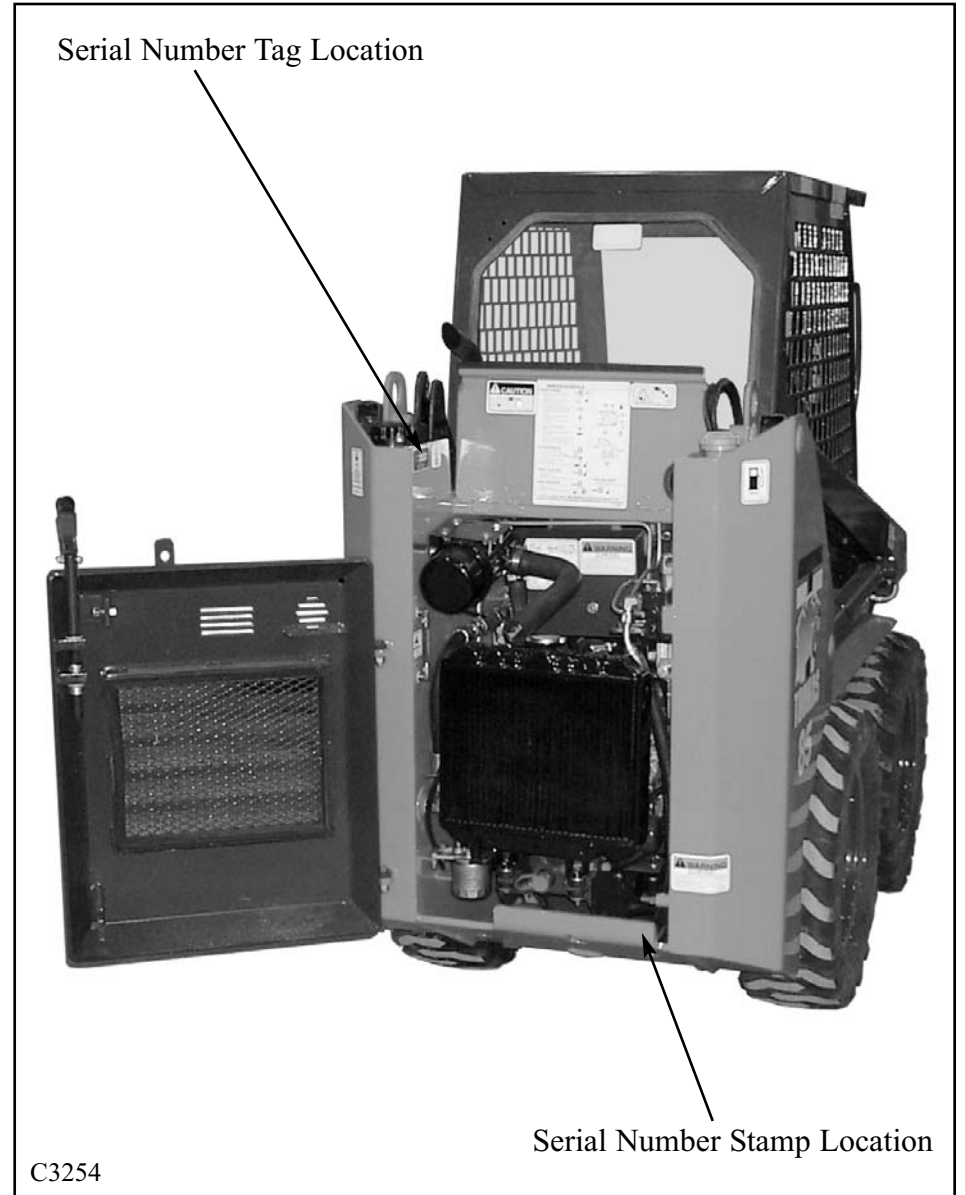
**THE WARRANTY IS A CONDITION OF SALE OF THE PRODUCT TO PURCHASER AND WILL THEREFORE APPLY EVEN IF PURCHASER ALLEGES THAT THERE IS A TOTAL FAILURE OF THE PRODUCT.**

*N.B. Read and practice your **Thomas** operating and servicing instructions. Failure to do this may void your warranty.*

*Publication Number 052745SP*



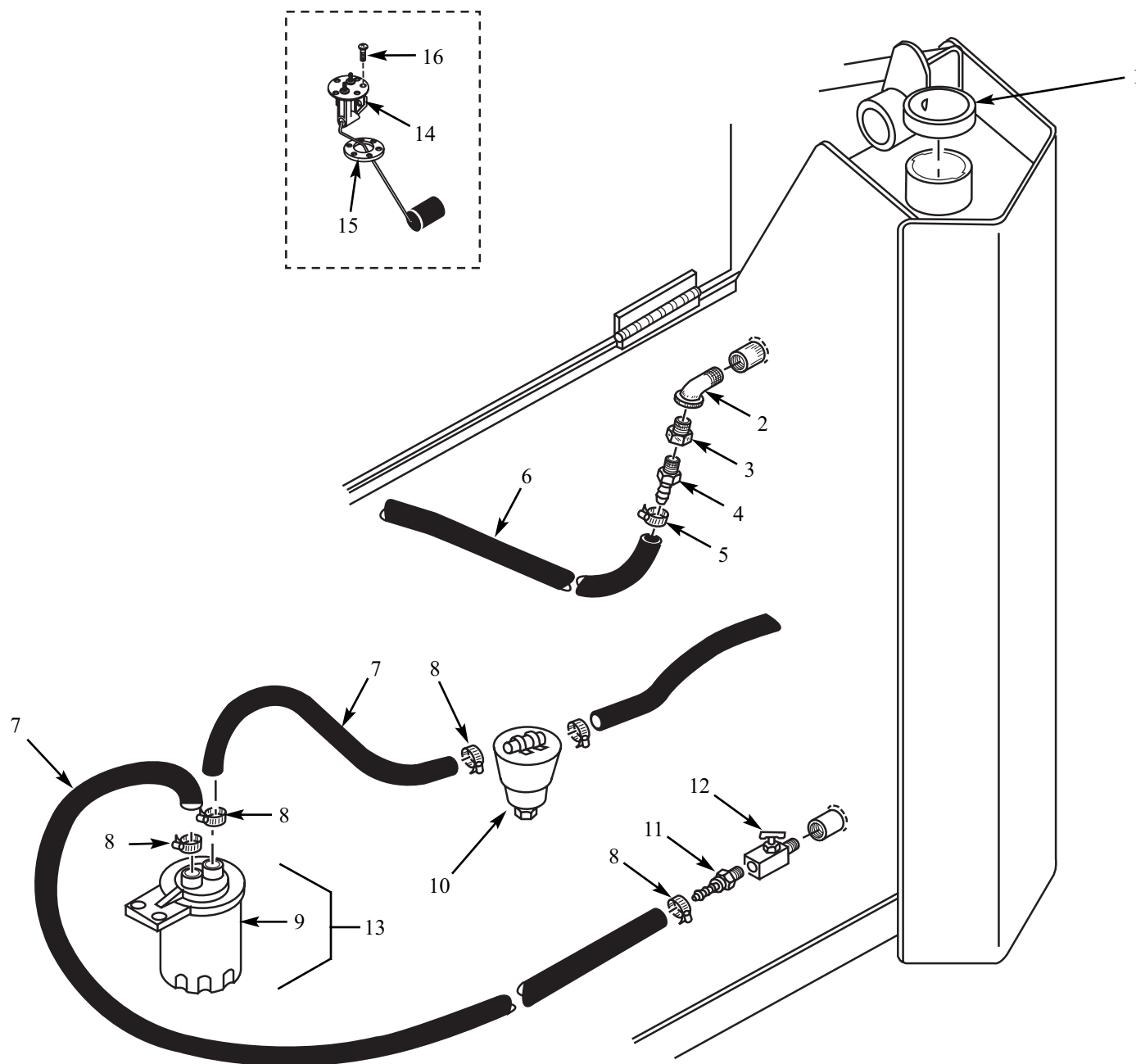
It is important when ordering replacement parts or making a service inquiry to provide both the model number and serial number of your Thomas loader. The serial number plate is located at the rear of the machine on the left hand side. In the event that the serial number plate is missing, the model number and serial number are both stamped into the main frame inside the rear door, right hand side, next to the fuel line shut off petcock. (fig. C2802)



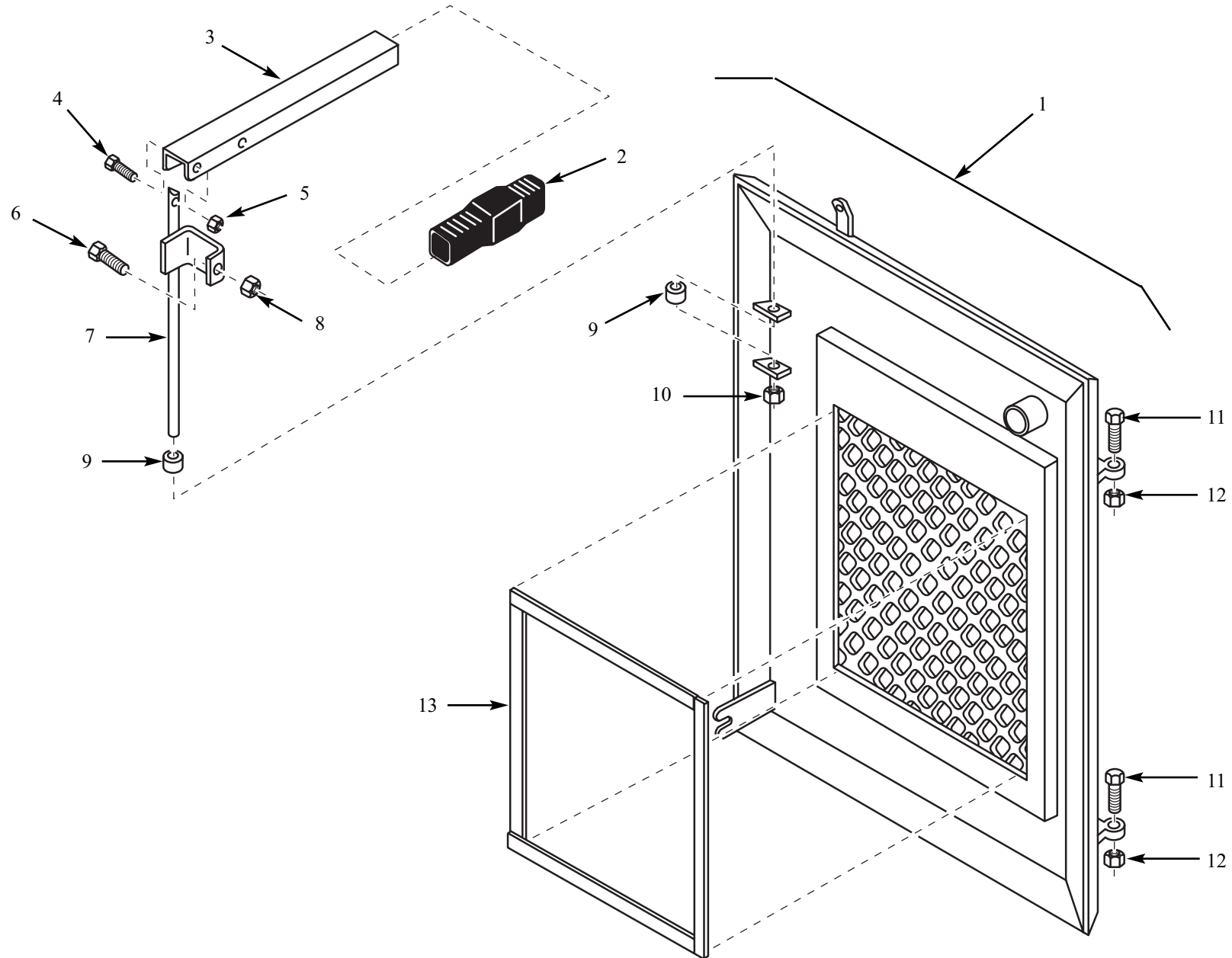
C3254

## 1. MAINFRAME

<b>Fuel System .....</b>	<b>1.1</b>
<b>Rear Door .....</b>	<b>1.2</b>
<b>Quick-Tach.....</b>	<b>1.3</b>
<b>Lift Arms and Pivot Pins .....</b>	<b>1.4</b>
<b>ROPS .....</b>	<b>1.5</b>
<b>Boom Supports and Dash Panel .....</b>	<b>1.6</b>
<b>Shields, Seat and Seat Belt .....</b>	<b>1.7</b>
<b>Insulation (CE only).....</b>	<b>1.8</b>
<b>Decals and Paint.....</b>	<b>1.9</b>
<b>Wheels and Tires .....</b>	<b>1.10</b>

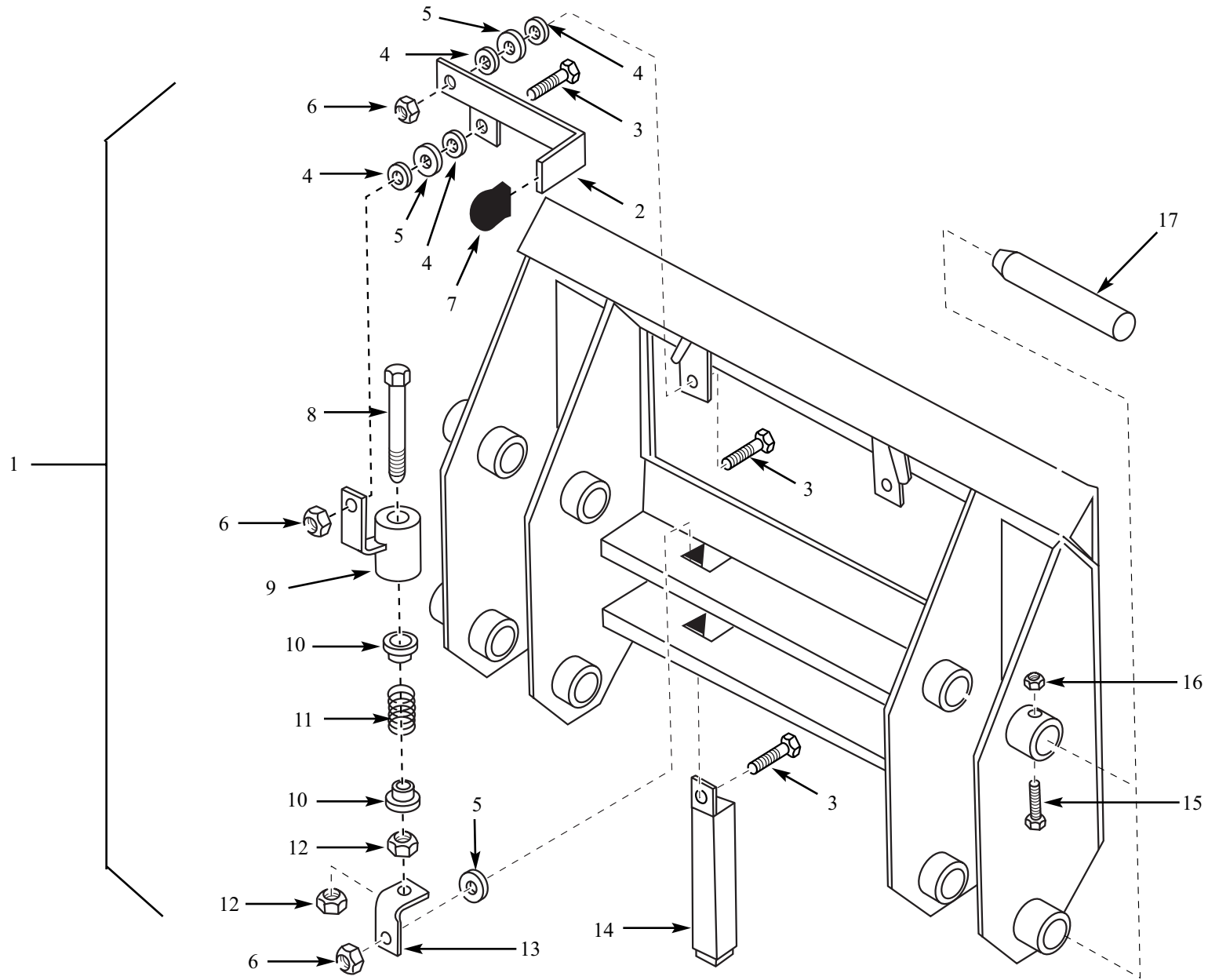


ITEM	PART No.	QTY.	DESCRIPTION
1.	040921SP	1	Cap, Fuel Diesel Green Cover
	040922SP	1	Cap, Fuel Locking Diesel
2.	042574SP	1	Elbow, 90°
3.	042572SP	1	Reducer Bushing
4.	018318SP	1	Hose End
5.	026737SP	2	Clamp, Wire Hose 3/16"
6.	000407SP	A / R	Hose, Fuel 3 3/16"
7.	000261SP	A / R	Hose, Fuel 5 5/16"
8.	019949SP	4	Clamp, Fuel Line
9.	018685SP	1	Filter, Fuel
10.	039420SP	1	Fuel Pump
11.	023861SP	1	Hose End
12.	014797SP	1	Shut Off Petcock
13.	953823SP	1	Fuel filter assembly
14.	041625SP	1	Sender, Fuel Level
15.	024264SP	1	Gasket sender, fuel level
16.	023194SP	5	Screw, Machine

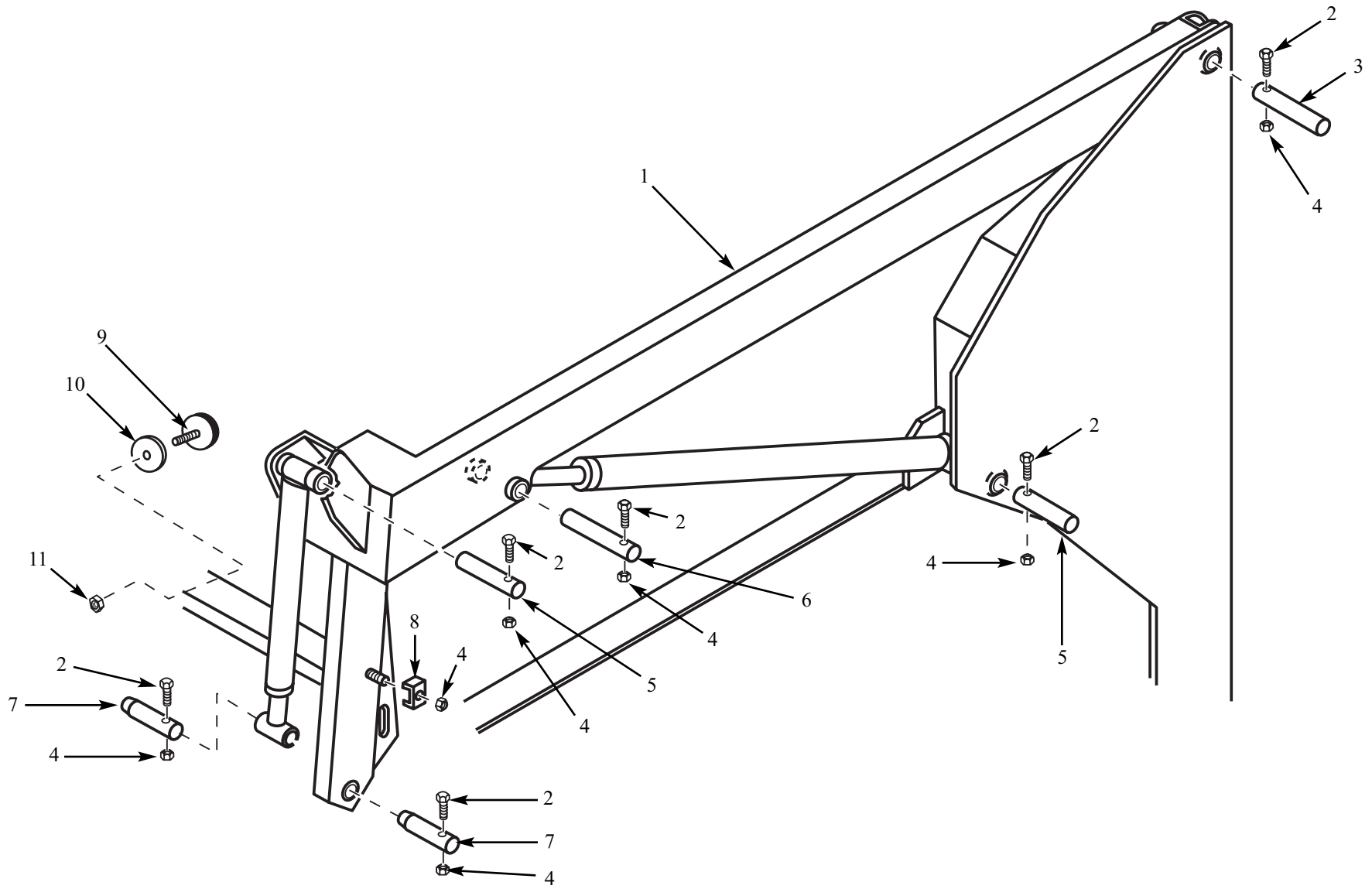




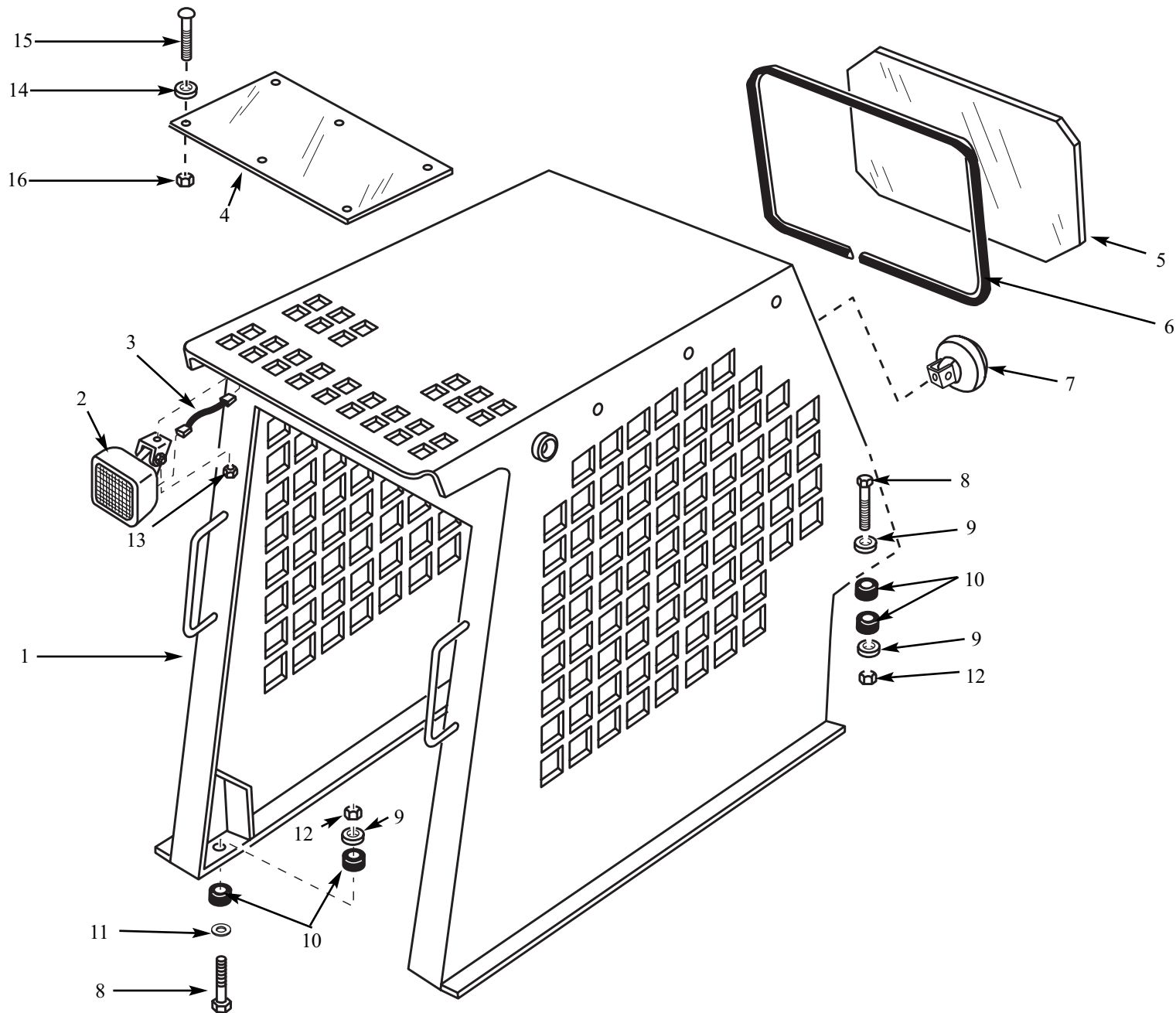
<b>ITEM</b>	<b>PART No.</b>	<b>QTY.</b>	<b>DESCRIPTION</b>
1.	960965SP	1	Rear Door Painted, 85
2.	003189SP	1	Grip, Lever
3.	035426SP	1	Handle, Door
4.	001678SP	1	Bolt, Hex 5/16" x 1 1/2"
5.	016771SP	1	Nut, Nylok Hex 5/16"
6.	002823SP	1	Bolt, Carriage 1/2" x 1 1/2"
7.	960735SP	1	Latch, Rear Door
8.	020860SP	1	Nut, Hex 1/2"
9.	016989SP	2	Bearing
10.	047952SP	1	Collar, Set 20 mm
11.	024980SP	2	Bolt, Hex 1/2" x 2 1/4"
12.	008613SP	2	Nut, Nylok 1/2"
13.	000846SP	A / R	Neoprene, Closed Cell



ITEM	PART No.	QTY.	DESCRIPTION
1.	965788SP	1	U-3631 Quick-Tach Complete Field 85
**	U-817	1	Quick Tach adapter plate, weld onto attachment
2.	951404SP	1	RH Pin Lever Assy
	951405SP	1	LH Pin Lever Assy
3.	001193SP	6	Bolt, Hex 3/8"
4.	008153SP	8	Washer, Tension 3/8"
5.	008154SP	6	Washer, Nylon
6.	007465SP	6	Nut, Nylok 3/8"
7.	015743SP	2	Tip, Vinyl Plastisol
8.	003550SP	2	Bolt, Hex 3/8" x 3 1/2"
9.	951408SP	2	Spring Housing Assy
10.	009421SP	4	Collar, Spring
11.	006447SP	2	Spring, Compression
12.	001194SP	4	Nut, Hex 3/8"
13.	010684SP	2	Hinge
14.	951403SP	2	Pin Assembly
15.	001676SP	4	Bolt
16.	016771SP	4	Lock Nut
17.	006717SP	4	Pin, Grapple
	044075SP	4	Pin, Plated

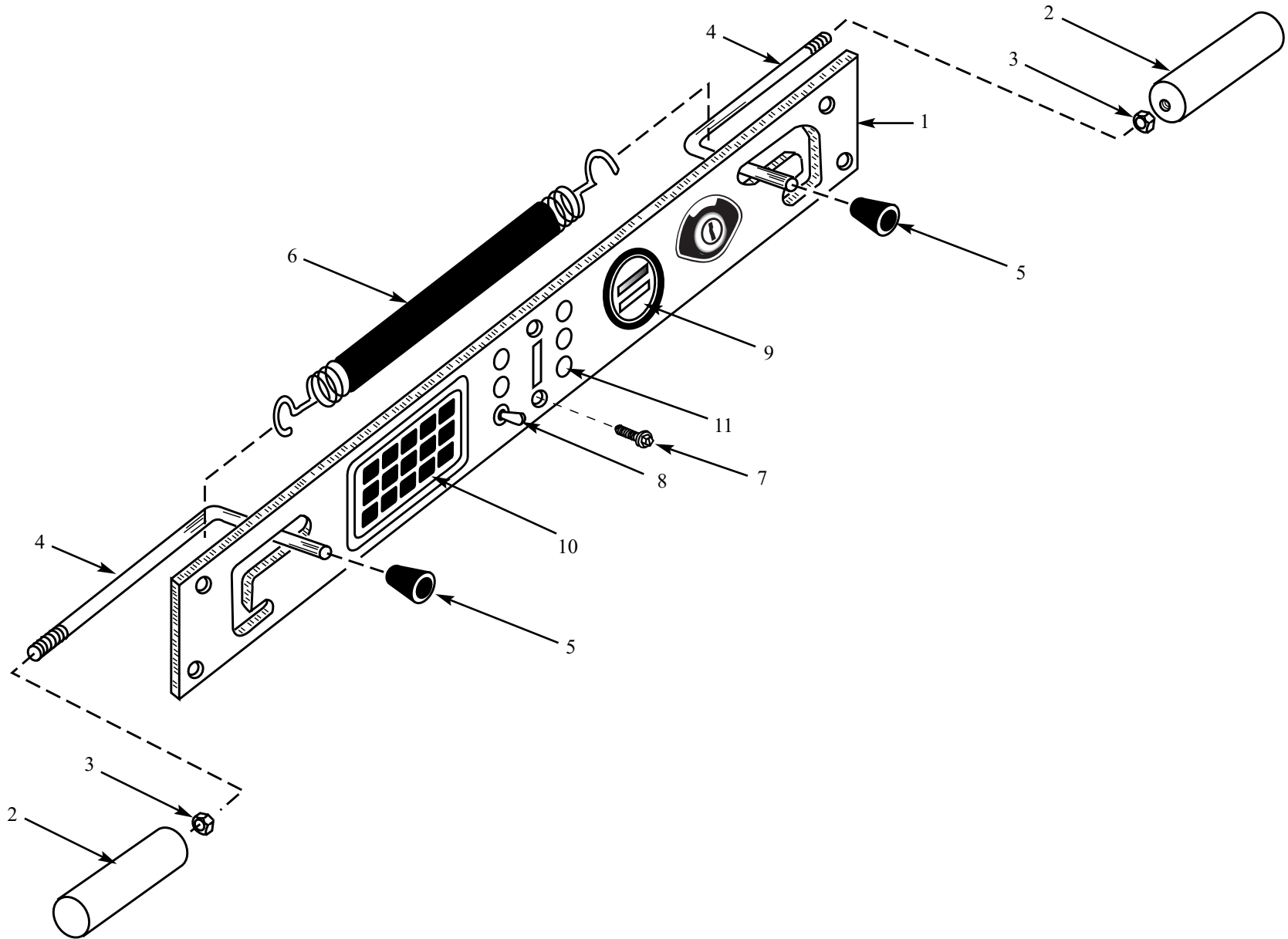


ITEM	PART No.	QTY.	DESCRIPTION
1.	962411SP	1	Lift Arm, 85, Painted & Decaled
2.	001676SP	10	Bolt, Hex 5/16" x 2 1/4"
3.	038814SP	2	Pin
	044077SP	2	Pin, Plated 1" x 5.25"
4.	016771SP	12	Nut, Nylok, Hex 5/16"
5.	037912SP	4	Pin
	044078SP	4	Pin, Plated 1" x 5.5"
6.	038188SP	2	Pin
	044073SP	2	Pin, Plated 1" x 3.5"
7.	006717SP	4	Pin, Grapple
	044075SP	4	Pin, Plated 1" x 4.75"
8.	007078SP	2	Clamp
9.	043006SP	2	Bumper, Rubber
10.	043019SP	2	Washer
11.	020860SP	2	Nut, Hex 1/2"
*	002010SP	4	Fitting, Grease (not shown)



ITEM	PART No.	QTY.	DESCRIPTION
1.	960968SP	1	ROPS Complete, Painted 85
2.	047468SP	1	Lamp, Halogen Assy (Option)
3.	047469SP	1	Harness, Wire Halogen Lamp
4.	038184SP	1	Top Window (Option)
*	001618SP	6	Bolt, Carriage 1/4" x 3/4"
*	001650SP	6	Washer, Flat 1/4"
*	006645SP	6	Nut, Nylok 1/4"
5.	039021SP	1	Window, Rear
6.	015750SP	7'	Weatherstrip, Glass Setting
7.	029971SP	1	Lamp, Round Back-up
8.	015646SP	4	Bolt, Hex 1/2" x 3 1/2"
9.	020235SP	6	Washer, Snubbing
10.	038560SP	4	Isolator, Neoprene
11.	023385SP	2	Washer, Flat 1/2"
12.	008613SP	4	Nut, Nylok 1/2"
13.	047470SP	1	Nut, Flange Hex 3/8"
14.	018455SP	6	Washer, Galvanized
15.	001618SP	6	Bolt, Carriage 1/4" x 3/4"
*	043923SP	A/R	Silicone, sealant 200
16.	006645SP	6	Nut, nylok 1/4" UNC

\* **Items not shown**

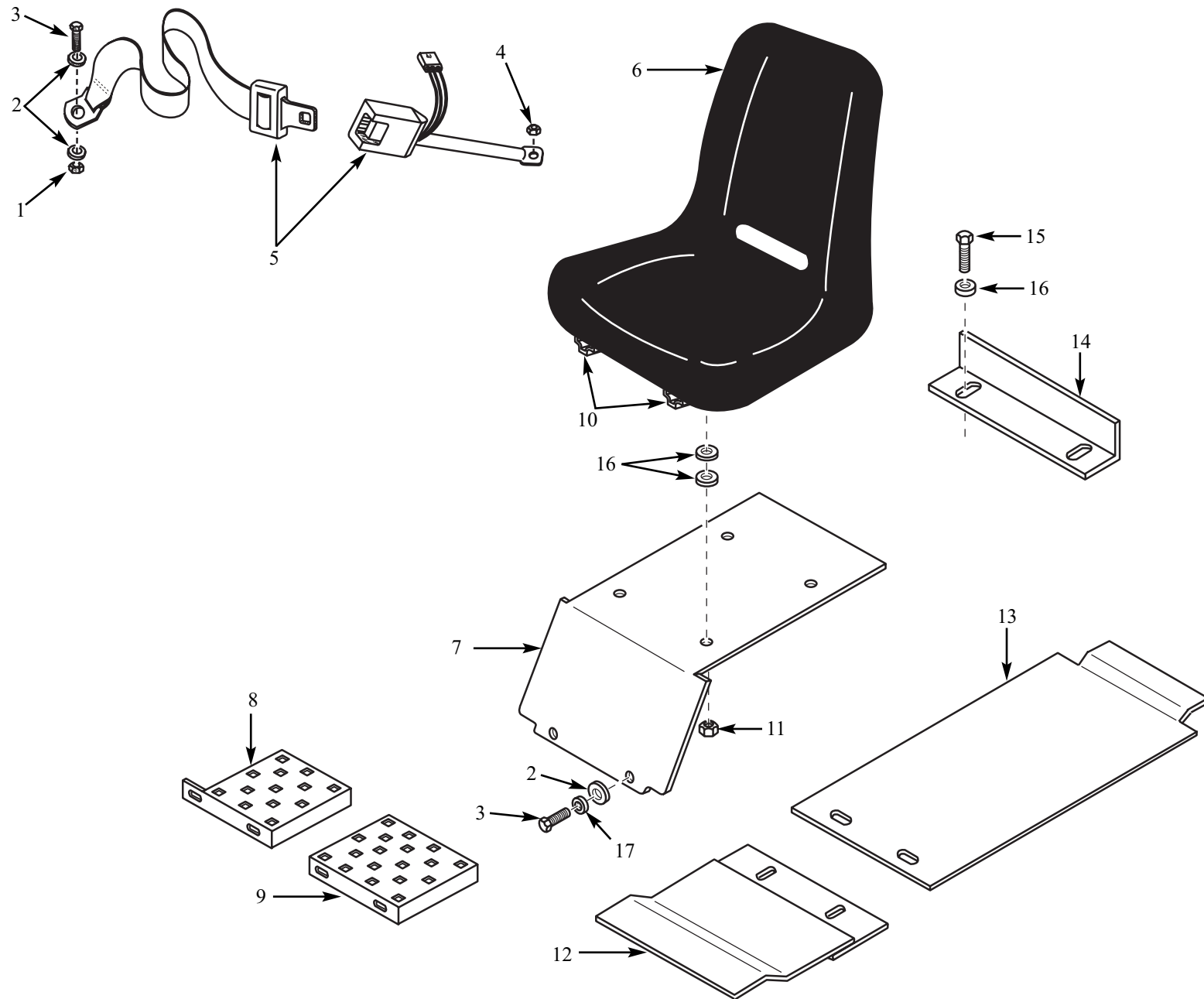




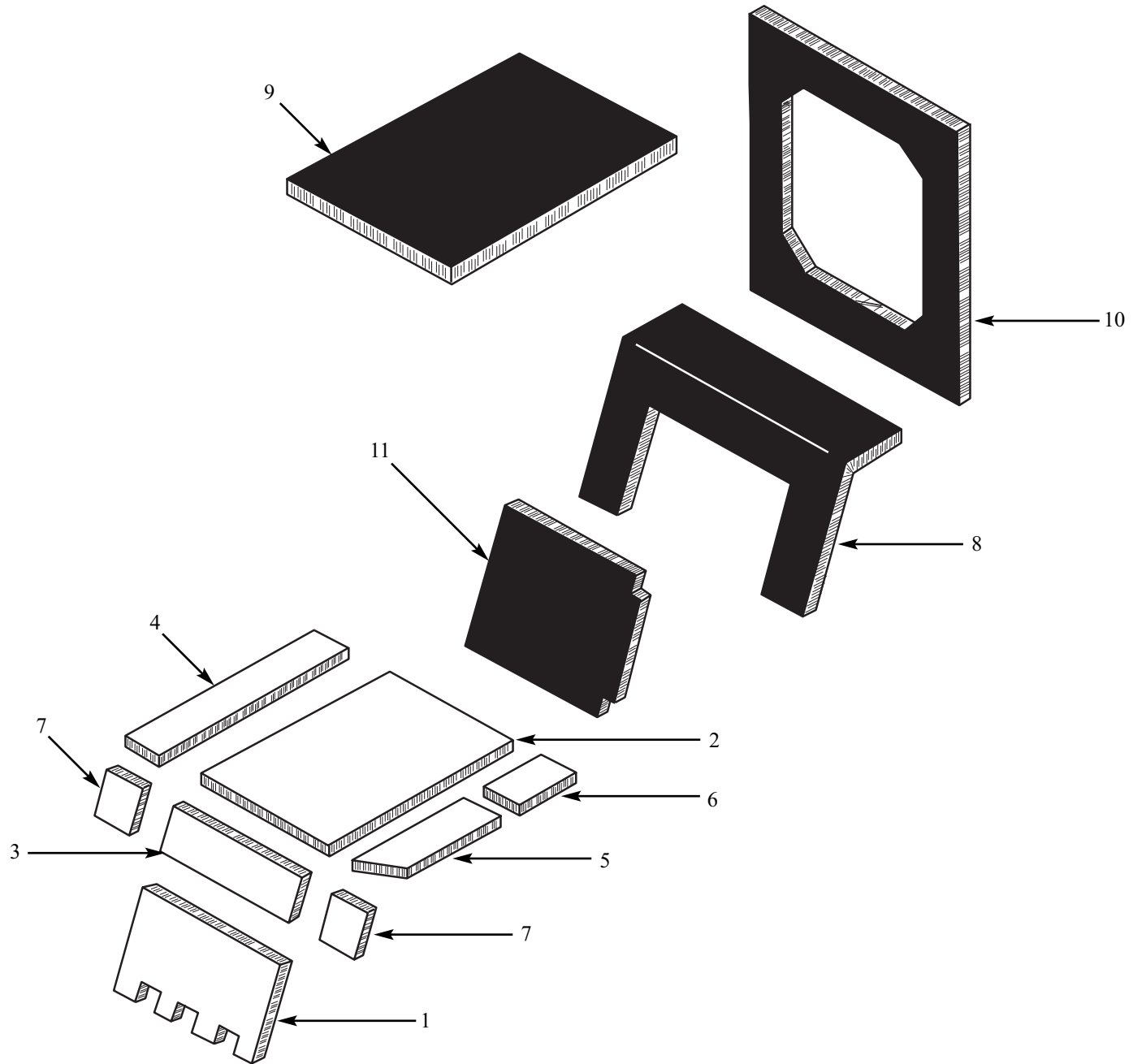
ITEM	PART No.	QTY.	DESCRIPTION
1.	964612SP	1	Panel, Mounting Sheet Assy.
2.	040186SP	2	Pin, Boom Lock
3.	001350SP	2	Nut, 1/4" UNC
4.	040187SP	2	Bar, Lock Pin Handle
5.	039546SP	2	Knob, Tapered Red
6.	043312SP	1	Spring
7.	031744SP	6	Screw
8.	039123SP	1	Switch, Toggle SPST (Worklights)
**	039124SP	1	Switch, Toggle DPST (Optional Hydraulics)
9.	046671SP	1	Meter, Fuel/Hour (S/N LB002500 onward)
	038577SP	1	Gauge, Fuel (up to S/N LB002499)
	038761SP	1	Hourmeter, Rectangular (up to S/N LB002499)
10.	049068SP	1	Panel, Indicator Display (S/N LB002720 onward)
	965221SP	1	Kit, Dash Panel Replacement (up to S/N LB002719)
11.	039126SP	5	Plug, Buttonhole 1/2" Black Plastic
*	044192SP	2	Screw, Round Head Star 10-32 x 1/2"

\* Not shown

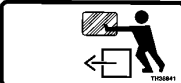
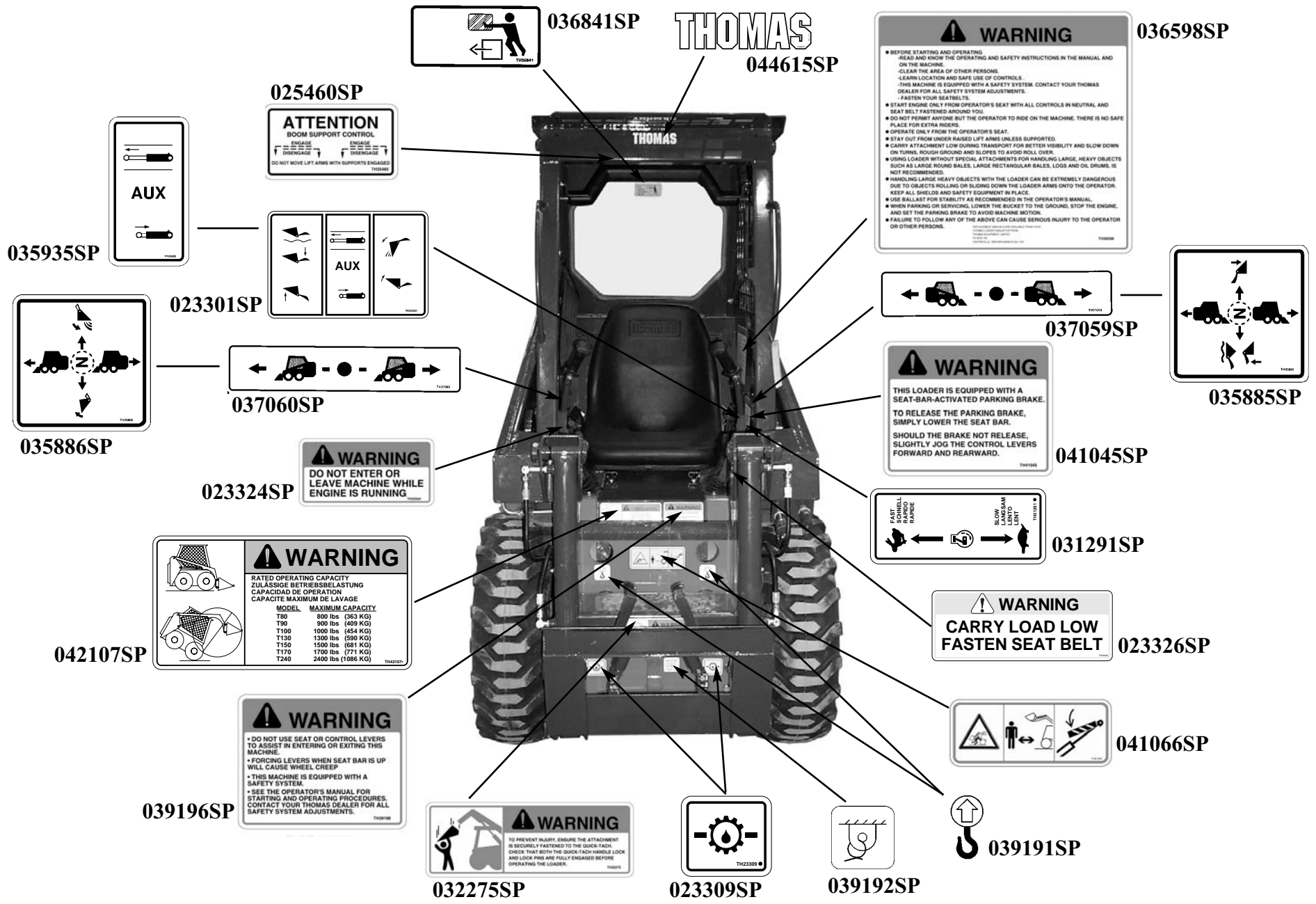
\*\* Optional item, not shown



ITEM	PART No.	QTY.	DESCRIPTION
1.	007465SP	1	Nut, Lock
2.	001643SP	2	Flat Washer
3.	001193SP	1	Bolt
4.	008613SP	1	Lock Nut
5.	961372SP	1	Seat Belt Assy 2", Non-retractable (Standard)
	047422SP	1	Belt, Safety 2", Non-retractable
	964330SP	1	Kit, 2" Seat Belt Retractable (Optional)
	048275SP	1	Belt, Safety 2" Retractable w/ Safety Wiring
	963406SP	1	Kit, 3" Seat Belt Retractable (Optional)
	048276SP	1	Belt, Safety 3" Retractable w/ Safety Wiring
6.	038600SP	1	Seat Assembly
7.	960496SP	1	Plate Assy, Seat
8.	040126SP	1	Sheet, Foot Grate (Hand Control, Standard Auxiliary)
9.	040160SP	1	Sheet, Foot Grate (Hand Control, Electric Auxiliary)
10.	042931SP	1	Adjusters, Seat Rail Assy
11.	001191SP	4	Nut, Hex 5/16"
12.	961199SP	1	Front Belly Pan Assy
13.	038134SP	1	Sheet, Belly Pan
14.	038322SP	1	Sheet, Rear Filler
15.	031744SP	2	Screw, Hex Head, Tapping
16.	001651SP	10	Washer, Flat 5/16"
17.	001642SP	2	Washer, Lock 3/8"



ITEM	PART No.	QTY.	DESCRIPTION
1.	039027SP	1	Insulation, Bulkhead Plate
2.	039028SP	1	Insulation, Seat Plate Rear
3.	039029SP	1	Insulation, Seat Plate Front
4.	039030SP	1	Insulation, RH Frame Side
5.	039031SP	1	Insulation, LH Frame Front
6.	039032SP	1	Insulation, LH Frame, Rear
7.	039033SP	2	Insulation, Lever Front
8.	043013SP	1	Insulation, ROPS Rear (S/N LB001937 onward)
	040572SP	1	Insulation, ROPS Rear (up to S/N LB001936)
9.	043014SP	1	Insulation, ROPS Headliner (S/N LB001937 onward)
	039813SP	1	Insulation, ROPS Headliner (up to S/N LB001936)
10.	043016SP	1	Insulation, ROPS Rear Window (S/N LB001937 onward)
	040268SP	1	Insulation, ROPS Rear Window (up to S/N LB001936)
11.	044787SP	1	Insulation, Access Shield (S/N LB001937 onward)
	040571SP	1	Insulation, Access Door (up to S/N LB001936)

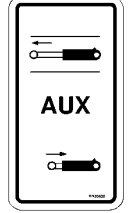


036841SP

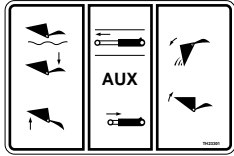
**THOMAS**

044615SP

025460SP



035935SP



023301SP



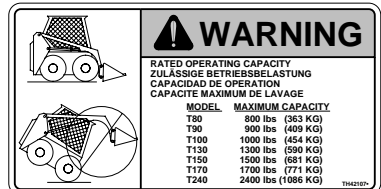
035886SP



037060SP



023324SP



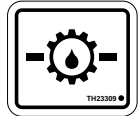
042107SP



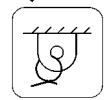
039196SP



032275SP



023309SP



039192SP



039191SP



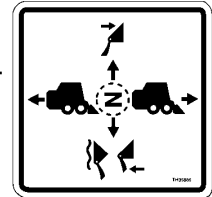
036598SP



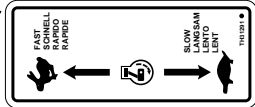
037059SP



041045SP



035885SP



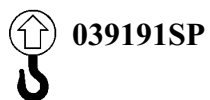
031291SP



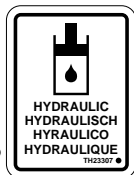
023326SP



041066SP



023312SP

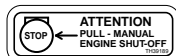


023307SP

038043SP OIL. 10W30 API SE, CD  
TH38043

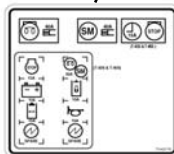
044615SP **THOMAS**  
(on back of door)

023308SP



039189SP

043776SP



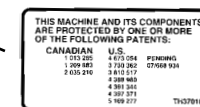
SERVICE SCHEDULE	
<b>EVERY 8 HOURS</b>	<ul style="list-style-type: none"> <li>1. Check oil level (1)</li> <li>2. Check hydraulic oil level (2)</li> <li>3. Check battery charge (3)</li> <li>4. Check air filter (4)</li> <li>5. Check tire pressure (5)</li> <li>6. Check for leaks (6)</li> <li>7. Check for loose parts (7)</li> <li>8. Check for damage (8)</li> <li>9. Check for obstructions (9)</li> <li>10. Check for proper operation (10)</li> </ul>
<b>50 HOUR SERVICE</b>	<ul style="list-style-type: none"> <li>1. Change oil (1)</li> <li>2. Change hydraulic oil (2)</li> <li>3. Change air filter (3)</li> <li>4. Change battery (4)</li> <li>5. Change tires (5)</li> <li>6. Change filters (6)</li> <li>7. Change parts (7)</li> <li>8. Change damage (8)</li> <li>9. Change obstructions (9)</li> <li>10. Change operation (10)</li> </ul>
<b>EVERY 150 HOURS</b>	<ul style="list-style-type: none"> <li>1. Change oil (1)</li> <li>2. Change hydraulic oil (2)</li> <li>3. Change air filter (3)</li> <li>4. Change battery (4)</li> <li>5. Change tires (5)</li> <li>6. Change filters (6)</li> <li>7. Change parts (7)</li> <li>8. Change damage (8)</li> <li>9. Change obstructions (9)</li> <li>10. Change operation (10)</li> </ul>
<b>EVERY 400 HOURS</b>	<ul style="list-style-type: none"> <li>1. Change oil (1)</li> <li>2. Change hydraulic oil (2)</li> <li>3. Change air filter (3)</li> <li>4. Change battery (4)</li> <li>5. Change tires (5)</li> <li>6. Change filters (6)</li> <li>7. Change parts (7)</li> <li>8. Change damage (8)</li> <li>9. Change obstructions (9)</li> <li>10. Change operation (10)</li> </ul>
<b>EVERY 1000 HOURS</b>	<ul style="list-style-type: none"> <li>1. Change oil (1)</li> <li>2. Change hydraulic oil (2)</li> <li>3. Change air filter (3)</li> <li>4. Change battery (4)</li> <li>5. Change tires (5)</li> <li>6. Change filters (6)</li> <li>7. Change parts (7)</li> <li>8. Change damage (8)</li> <li>9. Change obstructions (9)</li> <li>10. Change operation (10)</li> </ul>

\* FIRST CHANGE ONLY - SEE OWNER/OPERATOR'S MANUAL FOR COMPLETE SERVICE PROCEDURES, SPECIFICATIONS AND CAPACITIES

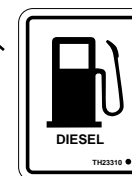
023321SP



041064SP



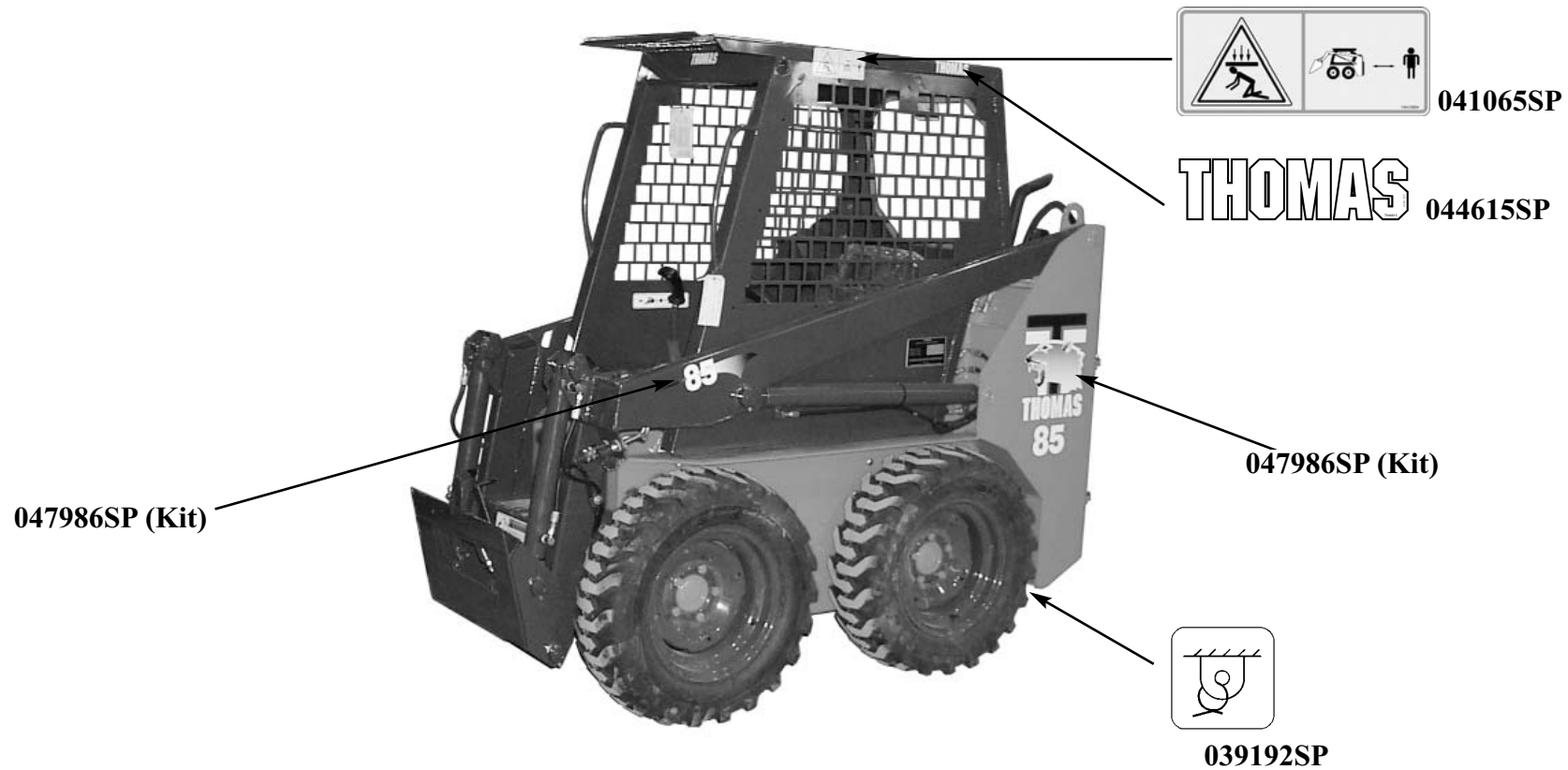
037010SP



023310SP



023325SP





<b>PART</b>	<b>QTY</b>	<b>DESCRIPTION</b>
049273SP	1	<b>Common Decal Kit</b> {Contains all decals required to retrofit a cosmetic overhaul except designation decals (47986 Kit)}
047986SP	1	Kit, Decal 85
049196SP	1	Decal kit, Dutch (supplements 49273)
049192SP	1	Decal kit, German (supplements 49273)
049191SP	1	Decal kit, French (supplements 49273)
049193SP	1	Decal kit, Italian (supplements 49273)
049194SP	1	Decal kit, Spanish (supplements 49273)
049195SP	1	Decal kit, Danish (supplements 49273)
049190SP	1	Decal kit, Portuguese (supplements 49273)
040970SP	-	Paint, Aerosol Orange, 241g (up to S/N LB002964)
049790SP	-	Paint, Aerosol Orange, 241g (S/N LB002965 onward)
041123SP	-	Grey Paint, Aerosol (sold each)
041778SP	-	Paint, Orange (1 Litre), Ready-to-use (up to S/N LB002964)
049791SP	-	Paint, Orange (1 Litre), Ready-to-use (S/N LB002965 onward)
041738SP	-	Grey Paint, Pre-mixed (sold per litre)

<b>PART No.</b>	<b>QTY.</b>	<b>DESCRIPTION</b>
<b>951550SP</b>	<b>1</b>	<b>U-1920 Wheel &amp; Tire Assy, 5.90 x 15.00</b>
042830SP	2	Tire & Wheel Assy, 5.90 x 15.0, 5 Bolt RH
042831SP	2	Tire & Wheel Assy, 5.90 x 15.0, 5 Bolt LH
005832SP	20	Nut, Wheel 9/16" (S/N LB002720 onward)
<b>001904SP</b>	-	<b>Bolt, Wheel</b> (up to S/N LB002719)
<b>007019SP</b>	-	<b>Stem, Valve</b>

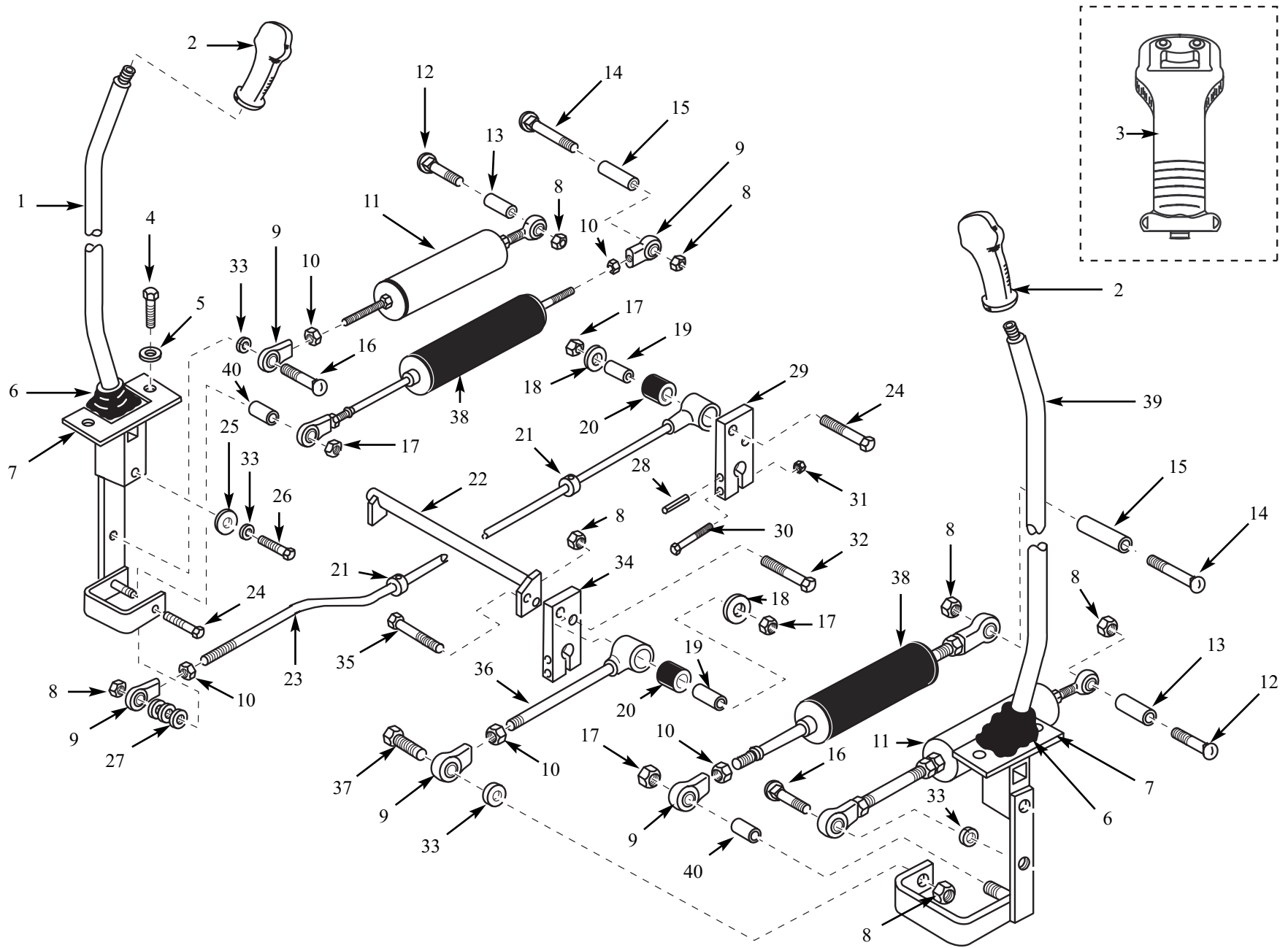
\* For all optional wheel equipment, see Section 8.5.

## 2. CONTROLS

<b>Control Levers, Hand and Foot .....</b>	<b>2.1</b>
<b>Control Levers, Hand .....</b>	<b>2.2</b>
<b>Foot Pedals .....</b>	<b>2.3</b>
<b>Throttle .....</b>	<b>2.4</b>
<b>Restraint Bar .....</b>	<b>2.5</b>
<b>Parking Brake .....</b>	<b>2.6</b>

# CONTROL LEVERS, HAND and FOOT

2.1

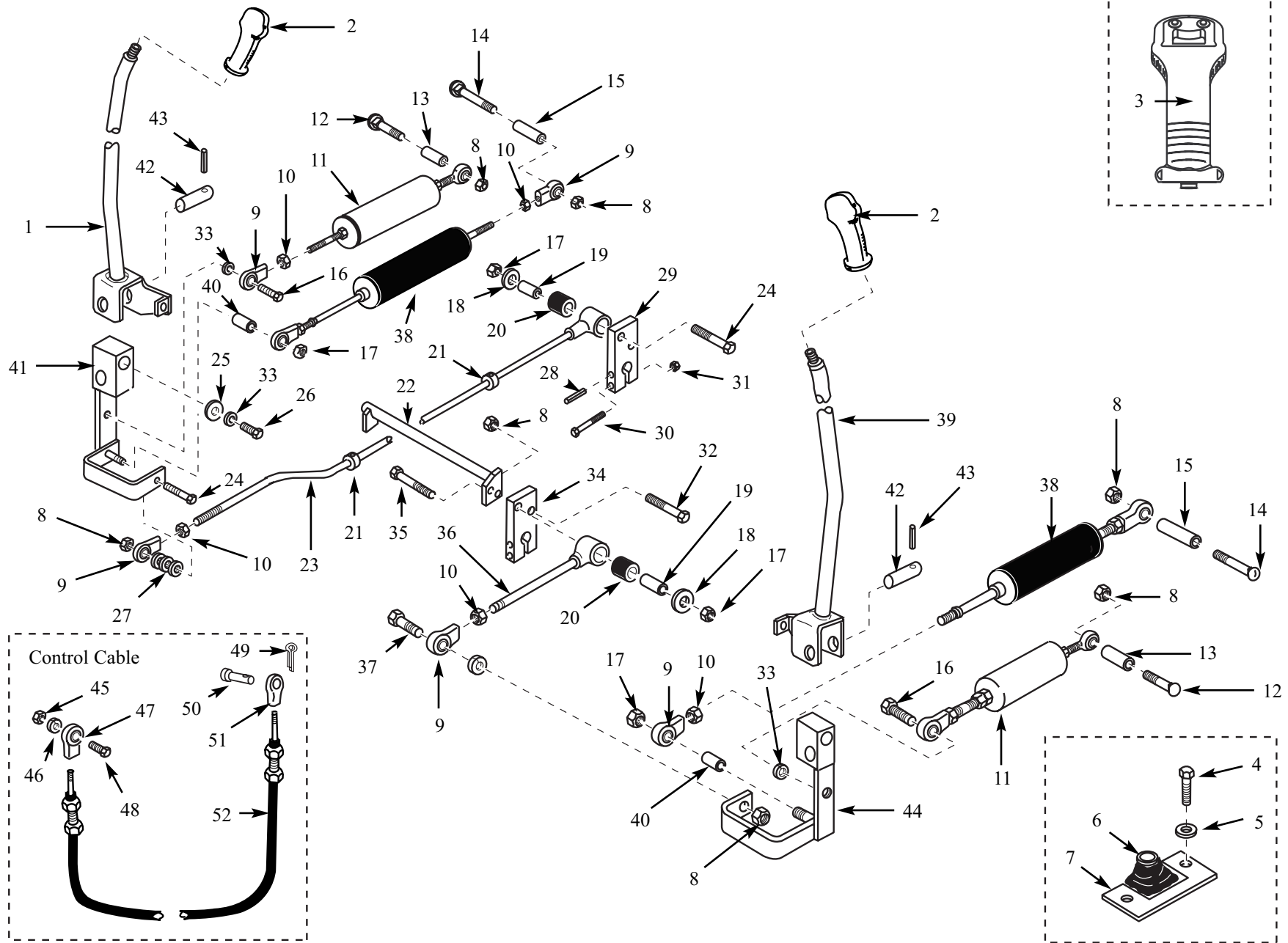


C4331

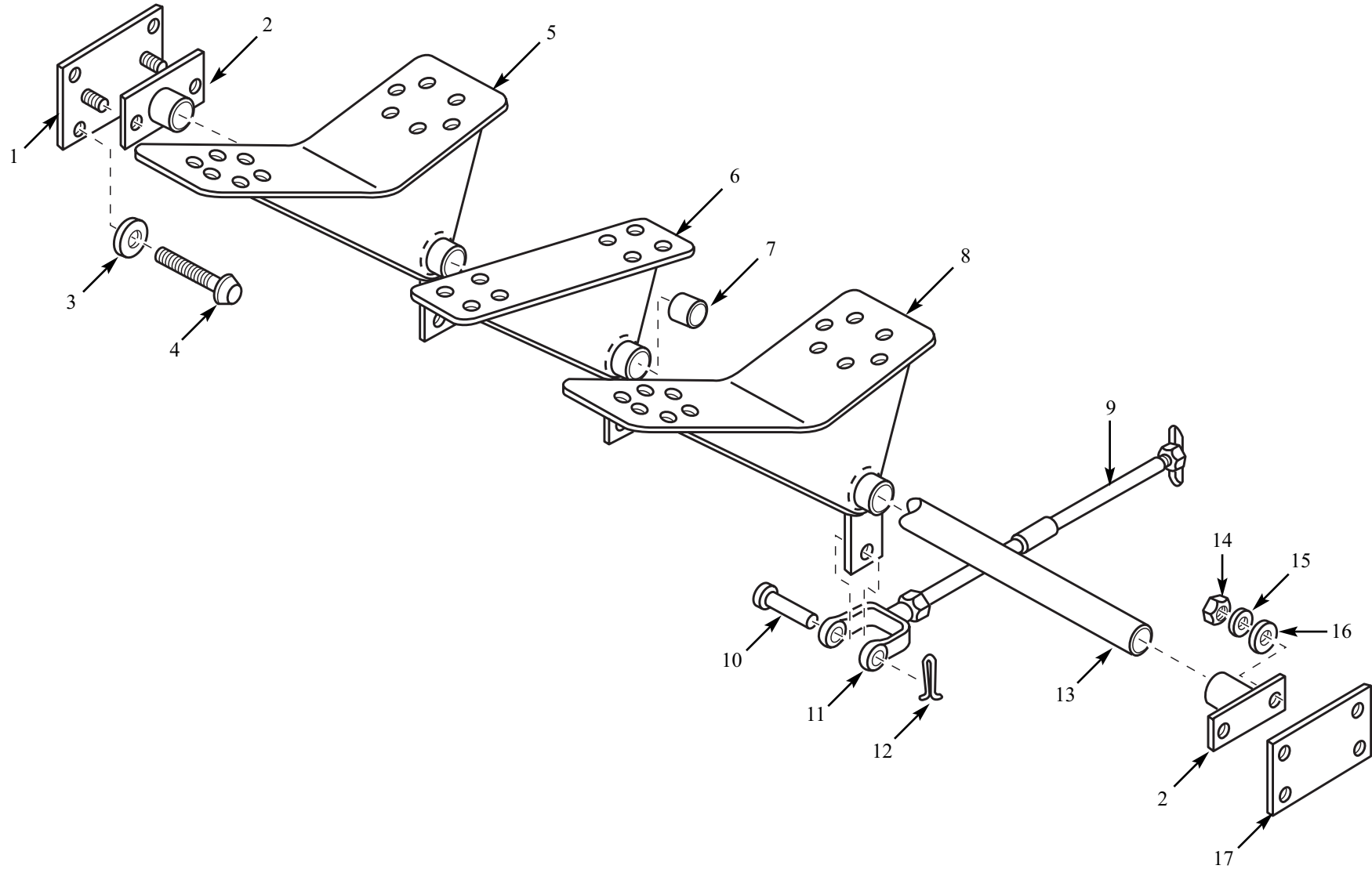
ITEM	PART No.	QTY.	DESCRIPTION
1.	962853SP	1	Control Lever Assy, RH
2.	044181SP	2	Handle, Ergonomic Plain
3.	044182SP	1	Handle, Ergonomic w/Rocker & 2 PB Switches
4.	031744SP	4	Screw
5.	001650SP	4	Washer, Flat 1/4"
6.	030501SP	2	Boot, Neoprene
7.	038235SP	2	Sheet, Lever Boot Cover
8.	007465SP	6	Nut, Nylok 3/8"
9.	005803SP	6	Rod End Assy, Female
10.	001898SP	10	Nut, Hex 3/8"
11.	959073SP	2	Hydroback Assy
12.	001686SP	2	Bolt, Carriage 3/8" x 2 1/2"
13.	038525SP	2	Bushing, Spacer
14.	038807SP	2	Bolt, Carriage 3/8" x 3 1/2"
15.	038085SP	2	Bushing, Spacer
16.	001193SP	2	Bolt, Hex 3/8" x 1"
17.	023264SP	4	Nut, Jam 3/8"
18.	021174SP	2	Washer, 3/8"
19.	037854SP	2	Bar, Rod End Spacer
20.	037853SP	2	Isolator
21.	039984SP	2	Collar, Set 1/2" Split
22.	961260SP	1	Control Rate Limiter Assy
23.	960655SP	1	Linkage, Pintle Lever Assy RH
24.	023901SP	2	Bolt, Hex 3/8" x 2 1/4"
25.	001643SP	2	Washer, Flat 3/8"
26.	001673SP	2	Bolt, Hex 3/8" x 3/4"
27.	021174SP	4	Washer, 3/8"
28.	021004SP	2	Pin, Split Spring 1/4" x 1 1/2"
29.	024603SP	1	Bar, Pintle Lever RH
30.	001676SP	2	Bolt, Hex 5/16" x 2 1/4"
31.	016771SP	2	Nut, Nylok, Hex 5/16"
32.	008280SP	1	Bolt, Hex 3/8" x 1 3/4"
33.	001642SP	3	Washer, Lock 3/8"
34.	025499SP	1	Bar, Pintle Lever LH

ITEM	PART No.	QTY.	DESCRIPTION
35.	003550SP	1	Bolt, Hex 3/8" x 3 1/2"
36.	960656SP	1	Linkage, Pintle Lever Assy LH
37.	001672SP	1	Bolt, Hex 3/8" x 1 1/2"
38.	014860SP	2	Shock Absorber
39.	962852SP	1	Control Lever Assy, LH
40.	038143SP	2	Bushing, Spacer

# CONTROL LEVERS, HAND

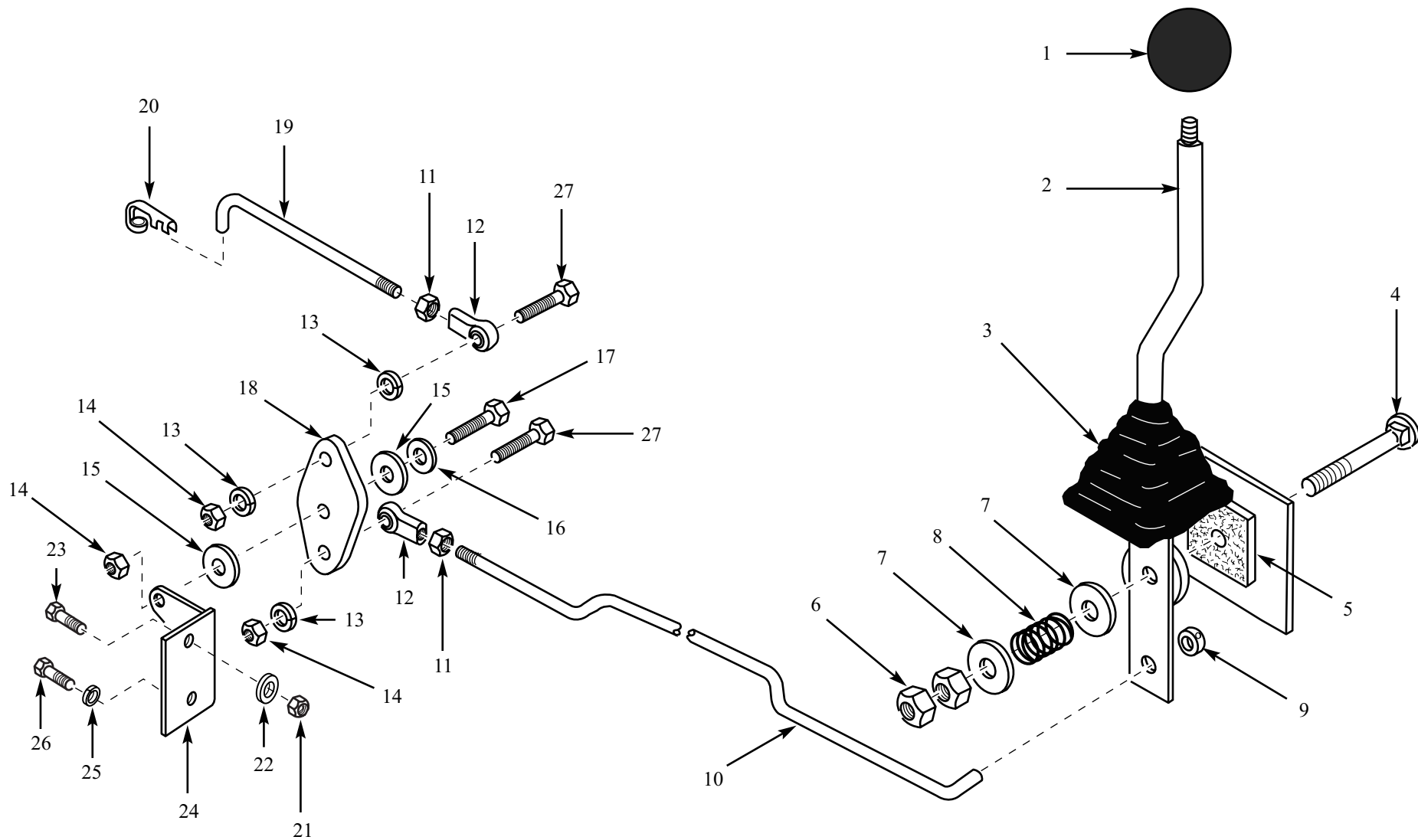


ITEM	PART No.	QTY.	DESCRIPTION	ITEM	PART No.	QTY.	DESCRIPTION
1.	962867SP	1	Control Lever Assy, RH (Hand Control - Ergonomic)	35.	003550SP	1	Bolt, Hex 3/8" x 3 1/2"
2.	044181SP	2	Handle, Ergonomic Plain	36.	960656SP	1	Linkage, Pintle Lever Assy LH
3.	044182SP	1	Handle, Ergonomic w/Rocker & 2 PB Switches	37.	001672SP	1	Bolt, Hex 3/8" x 1 1/4"
4.	031744SP	4	Screw	38.	014860SP	2	Shock Absorber
5.	001650SP	4	Washer, Flat 1/4"	39.	962866SP	1	Control Lever Assy, LH (Hand Control - Ergonomic)
6.	030501SP	2	Boot, Neoprene	40.	038143SP	2	Bushing, Spacer
7.	038235SP	2	Sheet, Lever Boot Cover	41.	960470SP	1	Swivel Block Assy RH
8.	007465SP	6	Nut, Nylok 3/8"	42.	035763SP	2	Control Lever Shaft
9.	005803SP	6	Rod End Assy, Female	43.	005896SP	2	Pin, Split Spring 1/4" x 1 1/4"
10.	001898SP	10	Nut, Hex 3/8"	44.	960510SP	1	Swivel Block Assy LH
11.	959073SP	2	Hydroback Assy.	45.	017432SP	2	Nut, Nylok 1/4"
12.	001686SP	2	Bolt, Carriage 3/8" x 2 1/2"	46.	024619SP	2	Washer, Flat 1/4"
13.	038525SP	2	Bushing, Spacer	47.	035883SP	2	Rod End Assy, Female
14.	038807SP	2	Bolt, Carriage 3/8" x 3 1/2"	48.	017421SP	2	Bolt, Hex 1/4" x 1"
15.	038085SP	2	Bushing, Spacer	49.	001630SP	2	Pin, Cotter 1/16" x 3/4"
16.	001193SP	2	Bolt, Hex 3/8" x 1"	50.	030044SP	2	Pin, Clevis 1/4" x 3/4"
17.	023264SP	4	Nut, Jam 3/8"	51.	036487SP	2	Bar, Valve Linkage Eye
18.	021174SP	2	Washer, 3/8"	52.	038551SP	2	Cable, Push-Pull 80" Long
19.	037854SP	2	Bar, Rod End Spacer	53.	038803SP	1	Sheet, Front Axle Cover
20.	037853SP	2	Isolator				
21.	039984SP	2	Collar, Set 1/2" Split				
22.	961260SP	1	Control Rate Limiter Assy.				
23.	960655SP	1	Linkage, Pintle Lever Assy RH				
24.	023901SP	2	Bolt, Hex 3/8"x 2 1/4"				
25.	001643SP	2	Washer, Flat 3/8"				
26.	001673SP	2	Bolt, Hex 3/8" x 3/4"				
27.	021174SP	4	Washer, 3/8"				
28.	021004SP	2	Pin, Split Spring 1/4" x 1 1/2"				
29.	024603SP	1	Bar, Pintle Lever RH				
30.	001676SP	2	Bolt, Hex 5/16" x 2 1/4"				
31.	016771SP	2	Nut, Nylok, Hex 5/16"				
32.	008280SP	1	Bolt, Hex 3/8" x 1 3/4"				
33.	001642SP	3	Washer, Lock 3/8"				
34.	024599SP	1	Bar, Pintle Lever LH				

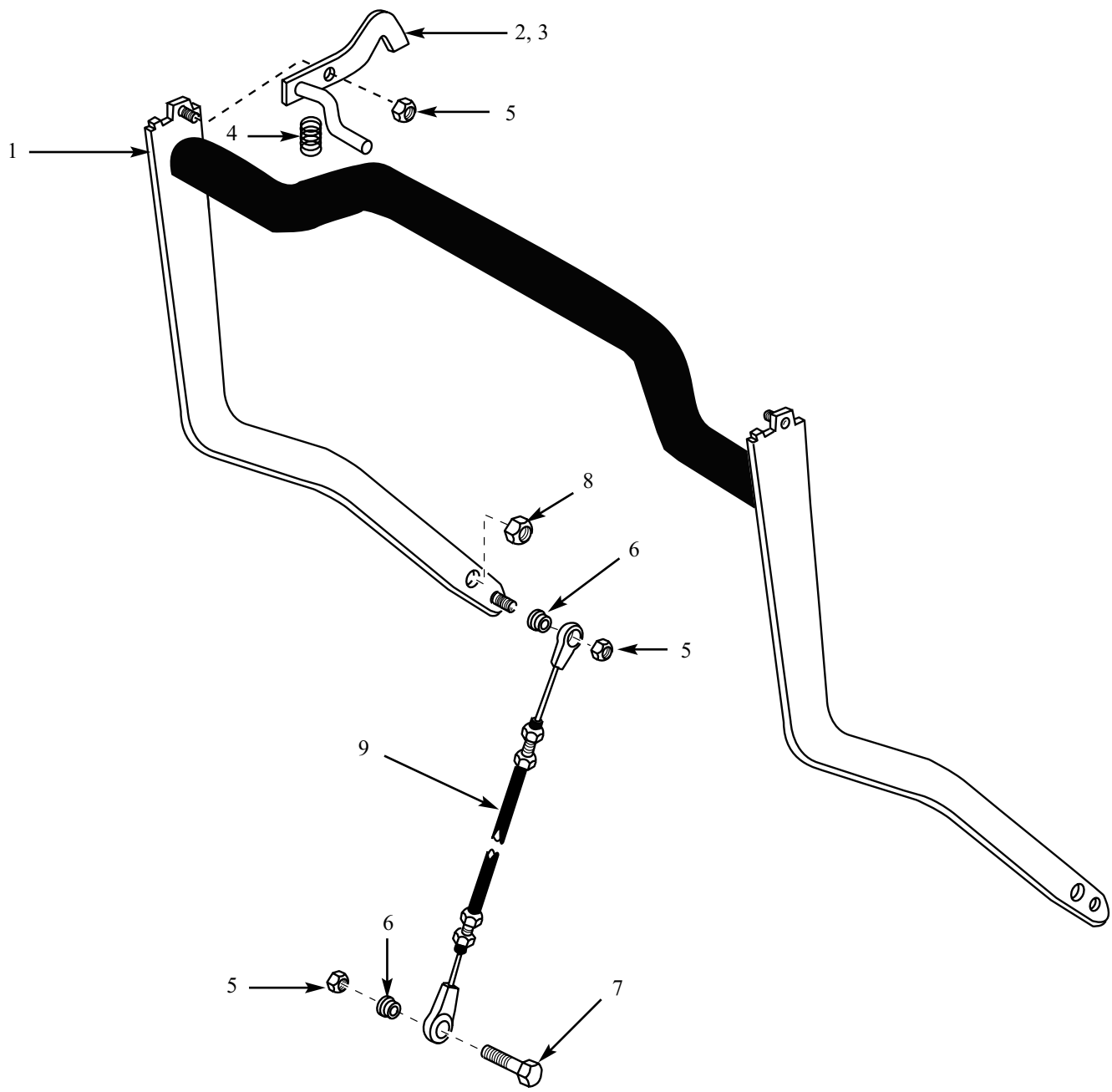




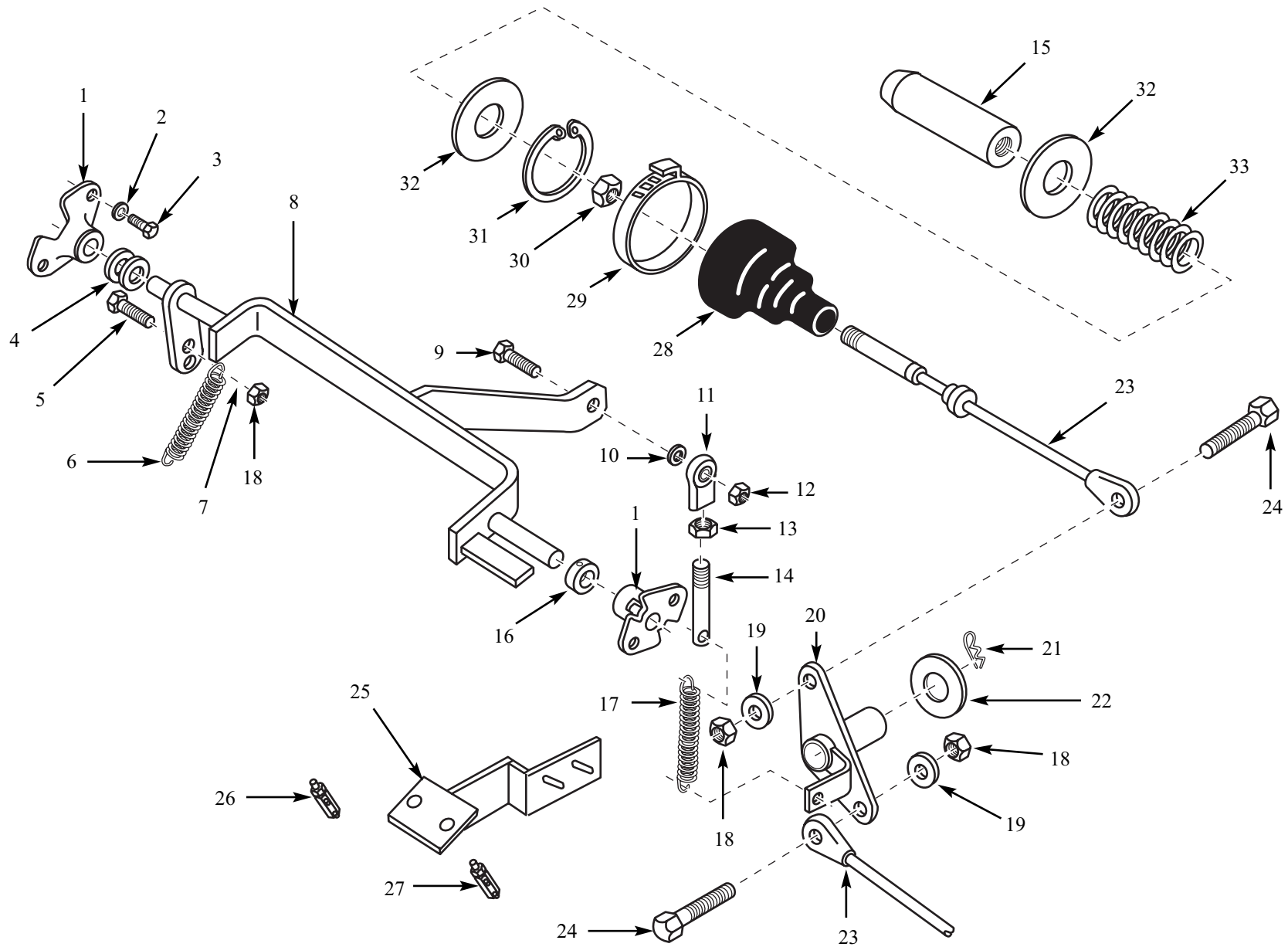
ITEM	PART No.	QTY.	DESCRIPTION
1.	960460SP	1	Cover, Axle Assy RH (Foot Controls)
	960729SP	1	Cover, RH Front Axle Assy (Hand Controls, Foot Aux.)
	038803SP	1	Sheet, Front Axle Cover (Hand Controls, Electric Aux.)
2.	960724SP	2	Foot Pedal Support Assy
3.	033499SP	8	Weather seal washer
4.	038751SP	8	Screw, Cap 3/8" x 3/4"
5.	960463SP	1	Foot Pedal Assy RH (Tilt)
6.	960459SP	1	Auxiliary pedal (option)
7.	037999SP	1	Pipe, Auxiliary Pedal Bushing (Standard or Electric Aux. Option)
8.	960461SP	1	Foot Pedal Assy LH (Lift)
9.	038551SP	2 / 3	Cable, Push-Pull 8" Long
10.	030044SP	4 / 6	Pin, Clevis 1/4" x 3/4"
11.	035884SP	2 / 3	Clevis, 1/4" Pin
12.	001630SP	4 / 6	Pin, Cotter 1/16" x 3/4"
13.	038052SP	1	Bar, Stainless Rd.
14.	001191SP	4	Nut, Hex 5/16"
15.	001870SP	4	Washer, Lock 5/16"
16.	001651SP	4	Washer, Flat 5/16"
17.	960426SP	1	Cover, Axle Assy LH (Foot Controls)
	038803SP	1	Sheet, Front Axle Cover (Hand Controls, Electric Aux.)



ITEM	PART No.	QTY.	DESCRIPTION
1.	038517SP	1	Knob, Red Ball
2.	960571SP	1	Throttle Handle Assy.
3.	028982SP	1	Boot, Throttle Handle
4.	038807SP	1	Bolt, Carriage 3/8" x 3 1/2"
5.	023371SP	1	Pad, Throttle Friction
6.	001194SP	2	Nut, Hex 3/8"
7.	001643SP	2	Flat washer
8.	007416SP	1	Spring, Compression
9.	023096SP	1	Collar, Set 1/4"
10.	044705SP	1	Bar, Throttle Rod Loader
11.	005405SP	2	Nut, Hex 1/4"
12.	035883SP	2	Rod End Assy, Female
13.	002279SP	3	Washer, Lock 1/4"
14.	006645SP	3	Nut, Nylok 1/4"
15.	039868SP	2	Washer, Nylon 1/4"
16.	001650SP	1	Washer, Flat 1/4"
17.	007723SP	1	Bolt, Hex 1/4" x 1 1/4"
18.	044703SP	1	Sheet, Throttle Crank
19.	044702SP	1	Bar, Throttle Rod Engine
20.	017669SP	1	Clip, Throttle Rod, RH
21.	016771SP	1	Nut, Nylok, Hex 5/16"
22.	001651SP	1	Washer, Flat 5/16"
23.	002580SP	1	Bolt, Hex 5/16" x 1 1/4"
24.	044704SP	1	Plate, Throttle Bracket
25.	021029SP	1	Washer, Lock 8mm
26.	021554SP	1	Bolt
27.	005170SP	2	Bolt, Hex 1/4" x 1"



ITEM	PART No.	QTY.	DESCRIPTION
1.	960472SP	1	Restraint Bar Assy
2.	960497SP	1	Hook Latch Assy RH
3.	960498SP	1	Hook Latch Assy LH
4.	038834SP	2	Spring
5.	006645SP	4	Nut, Nylok 1/4"
6.	041042SP	2	Insulator, Nylon 1/4" x 3/8" Long
7.	005170SP	1	Bolt, Hex 1/4" x 1"
8.	008613SP	2	Nut, Nylok 1/2"
9.	041040SP	1	Cable, Assy Pull 36.6"

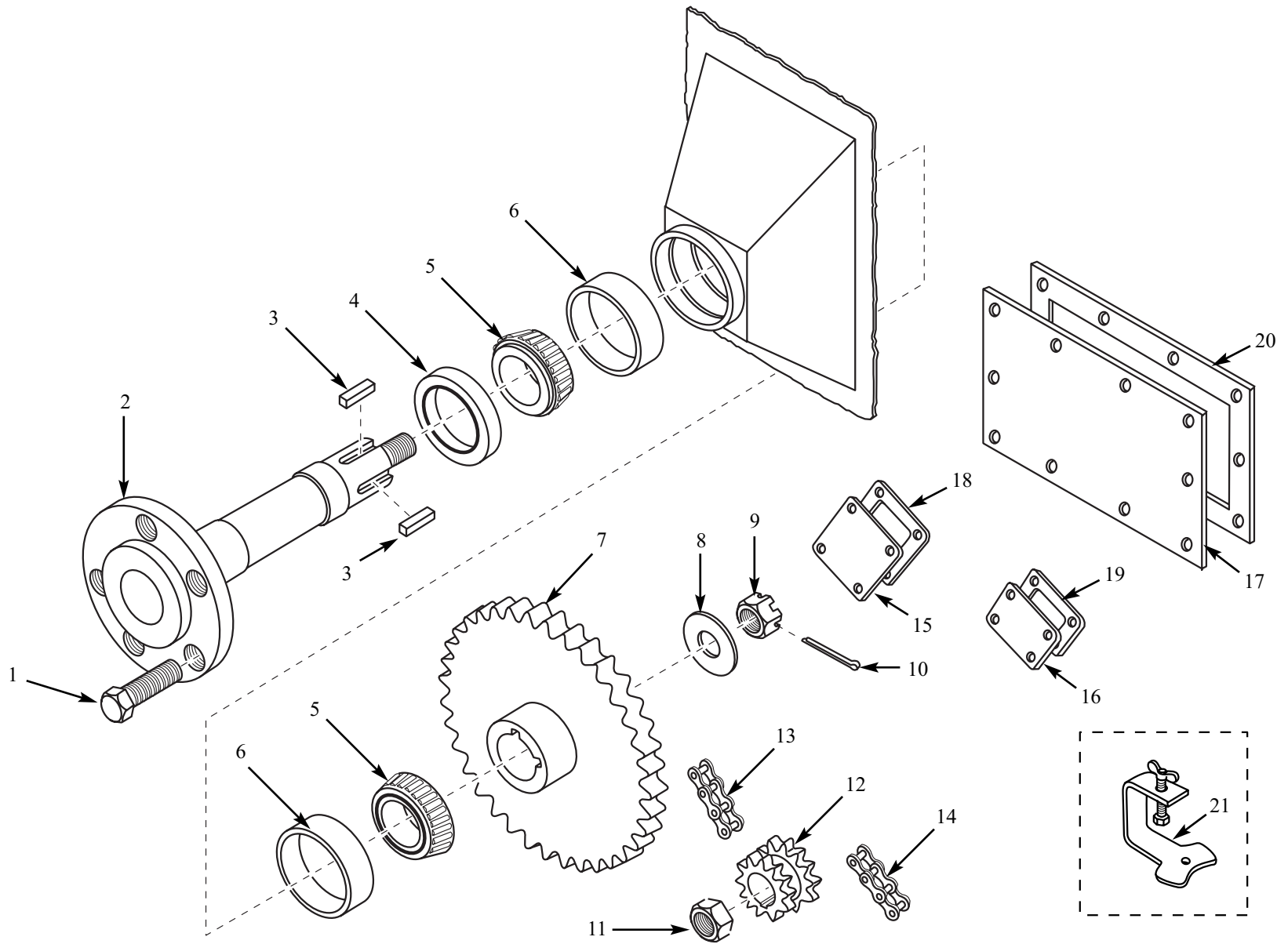


ITEM	PART No.	QTY.	DESCRIPTION
1.	029065SP	2	Bearing, Flanged, 2-Bolt
2.	002279SP	4	Washer, Lock 1/4"
3.	002338SP	4	Bolt, Hex 1/4" x 1/2"
4.	025845SP	2	Washer, Flat 1/2"
5.	002663SP	1	Bolt, Hex 1/4" x 3/4"
6.	033269SP	1	Spring, Ext.
7.	001650SP	1	Washer, Flat 1/4" (not shown)
8.	961212SP	1	Brake Unlock Shaft Assy.
9.	001387SP	1	Bolt, Hex 3/8" x 1 1/4"
10.	021174SP	1	Spacer washer
11.	005803SP	1	Rod End Assy, Female
12.	007465SP	1	Nut, Nylok 3/8"
13.	001898SP	1	Nut, Hex 3/8"
14.	041215SP	1	Bar, Brake Linkage
15.	037991SP	2	Bar, Brake Pin
16.	029066SP	1	Collar, Set 1/2"
17.	023922SP	1	Spring
18.	006645SP	3	Nut, Nylok 1/4"
19.	001650SP	2	Washer, Flat 1/4"
20.	960444SP	1	Brake Pull Off Assy
21.	001630SP	1	Pin, Cotter 1/16" x 3/4"
22.	023385SP	1	Washer, Flat 1/2"
23.	038347SP	2	Cable, Assy
24.	005170SP	2	Bolt, Hex 1/4" x 1"
25.	961307SP	1	Switch Mount Assy
26.	040583SP	1	Switch, Momentary NC
27.	040582SP	1	Switch, Momentary NO
28.	038343SP	2	Boot, Neoprene Dipped
29.	038810SP	2	Clamp, Hose
30.	001350SP	2	Nut, Hex 1/4"
31.	006448SP	2	Circlip, Internal
32.	017516SP	4	Flat Washer
33.	037798SP	2	Spring, Compression

### **3. FINAL DRIVE TRANSMISSION**

**Axle, Chain and Sprocket Assembly ..... 3.1**



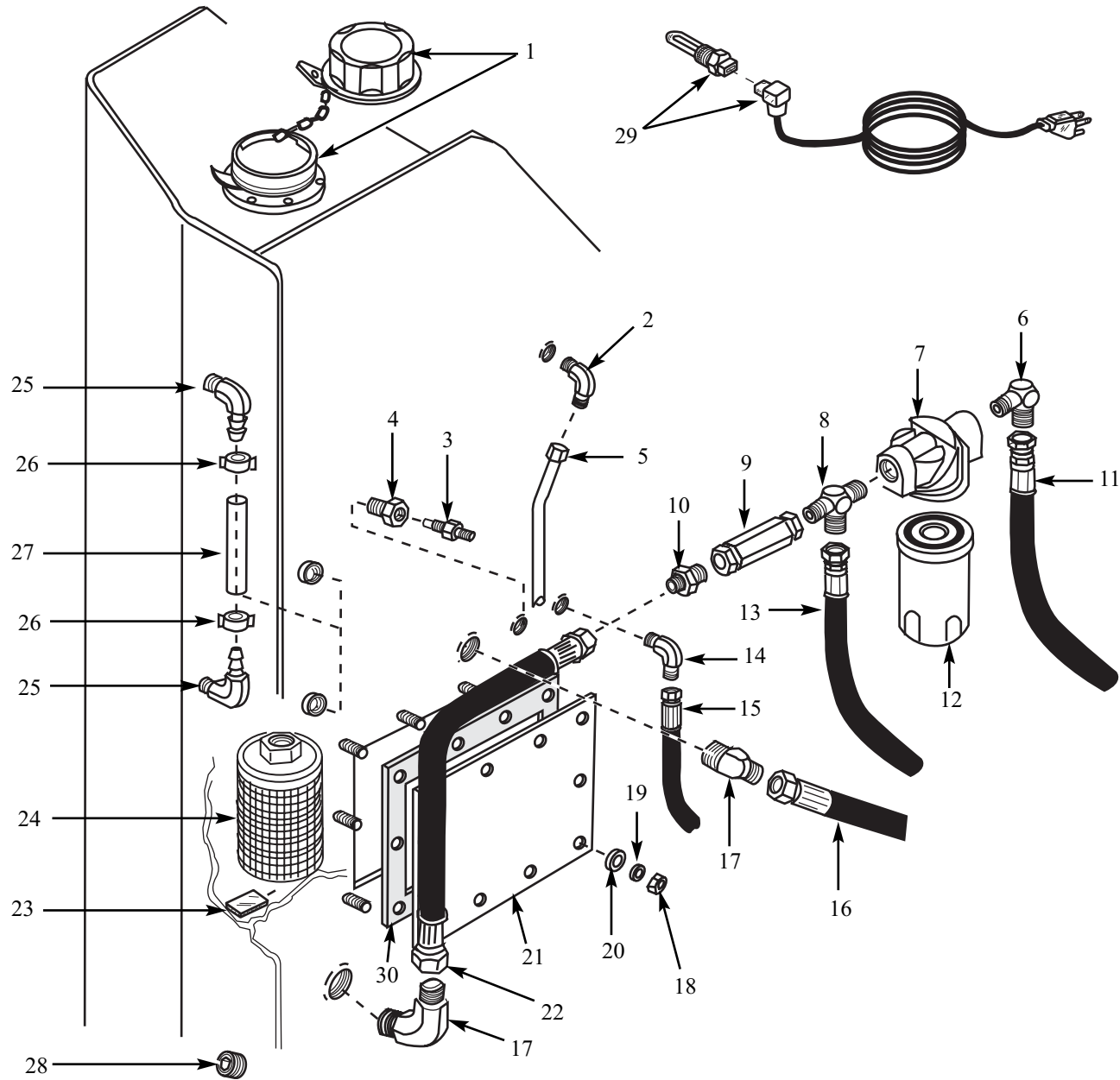


ITEM	PART No.	QTY.	DESCRIPTION
1.	005832SP	5	Nut, Wheel 9/16" (S/N LB002720 onward)
	001904SP	5	Bolt, Wheel (up to S/N LB002719)
2.	964666SP	4	Axle Assembly (S/N LB002720 onward)
	964668SP	5	Axle Assembly (up to S/N LB002719)
3.	020200SP	8	Keystock, Square
4.	049611SP	4	Seal, Double Lip
5.	003665SP	8	Bearing, Cone
6.	005968SP	8	Bearing, Cup
7.	037963SP	2	Sprocket, Driven Front
	037962SP	2	Sprocket, Driven Rear
8.	008675SP	4	Axle Spacer
9.	005914SP	4	Nut, Castle 3/4"
10.	006318SP	4	Pin, Cotter 5/32" x 1 1/2"
11.	018859SP	2	Nut, Drive Sprocket
12.	037977SP	2	Sprocket, Drive
13.	038345SP	2	Chain, 58 Pitch
14.	038346SP	2	Chain, 74 Pitch
15.	960426SP	1	Cover, Axle Assy LH (Foot Pedal Controls)
	960460SP	1	Cover, Axle Assy RH (Foot Pedal Controls)
	960729SP	1	Cover, RH Front Axle Assy (Hand Controls, Foot Aux.)
	038803SP	2	Sheet, Front Axle Cover (Hand Controls, Foot Aux.)
16.	044491SP	2	Sheet, Rear Axle Cover
17.	041178SP	2	Sheet, Transmission Inspection Cover
18.	049808SP	2	Gasket, Axle Cover Front
19.	049809SP	2	Gasket, Axle Cover Rear
20.	046457SP	2	Gasket, Transmission Inspection Cover
21.	965681SP	1	Tool, Seal Installation
*	044357SP	4	Plug, Drain
*	044358SP	4	Washer, Nylon

\* Item not shown

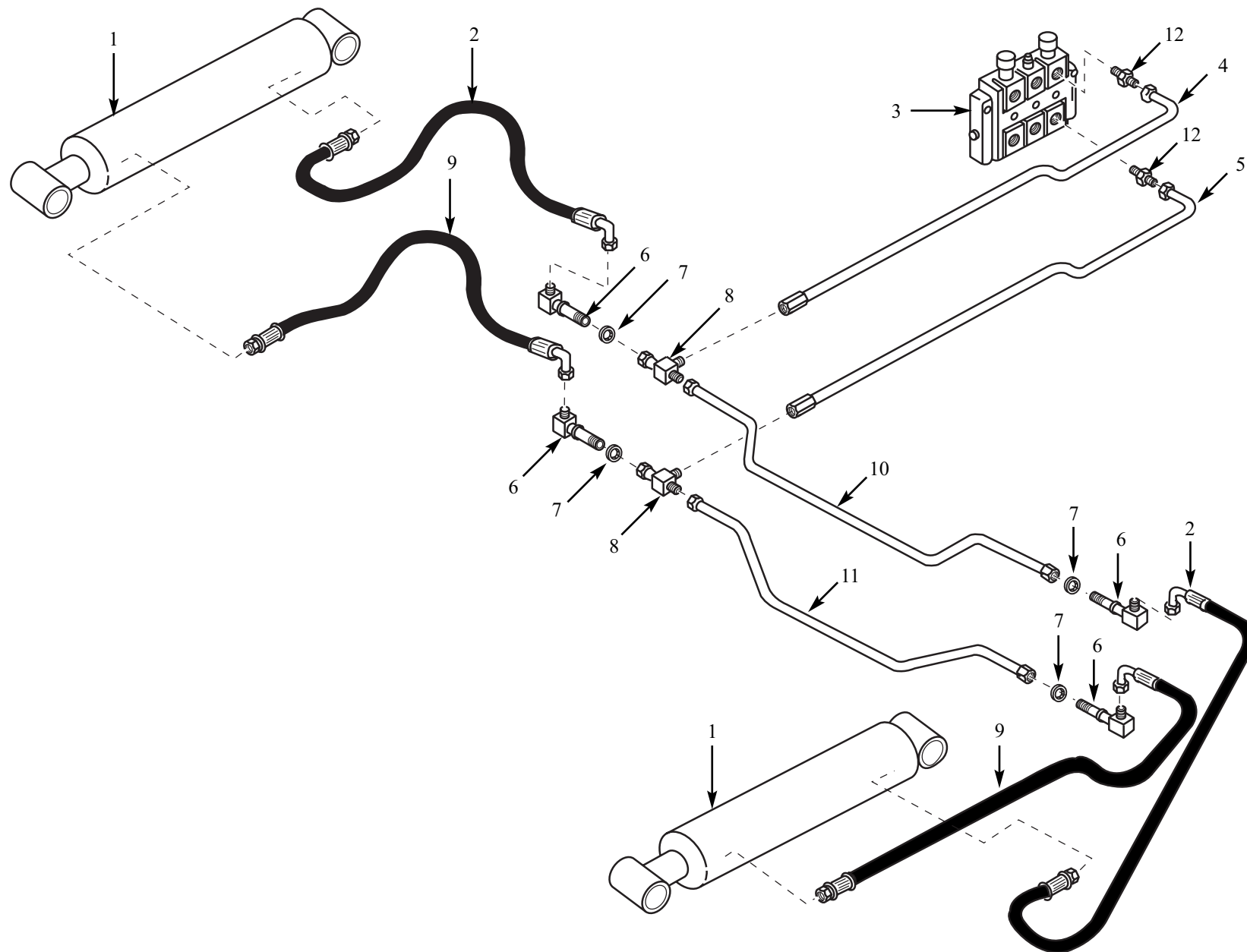
## **4. HYDRAULIC SYSTEM**

<b>Oil Reservoir and Filter.....</b>	<b>4.1</b>
<b>Boom Lift Circuit .....</b>	<b>4.2</b>
<b>Lift Cylinder .....</b>	<b>4.3</b>
<b>Bucket Tilt Circuit .....</b>	<b>4.4</b>
<b>Tilt Cylinder .....</b>	<b>4.5</b>
<b>Auxiliary Circuit .....</b>	<b>4.6</b>
<b>Control Valve, No Auxiliary (Up to S/N LB002671, excluding LB002578) .....</b>	<b>4.7(A)</b>
<b>Control Valve, Manual Auxiliary (Up to S/N LB002671, excluding LB002578).....</b>	<b>4.7(B)</b>
<b>Control Valve, Electric Auxiliary (Up to S/N LB002671, excluding LB002578).....</b>	<b>4.7(C)</b>
<b>Control Valve, Manual Auxiliary (S/N LB002672 onward &amp; S/N LB002578) .....</b>	<b>4.7(D)</b>
<b>Control Valve, Electric Auxiliary (S/N LB002672 onward &amp; S/N LB002578).....</b>	<b>4.7(E)</b>
<b>Gear Pump .....</b>	<b>4.8</b>

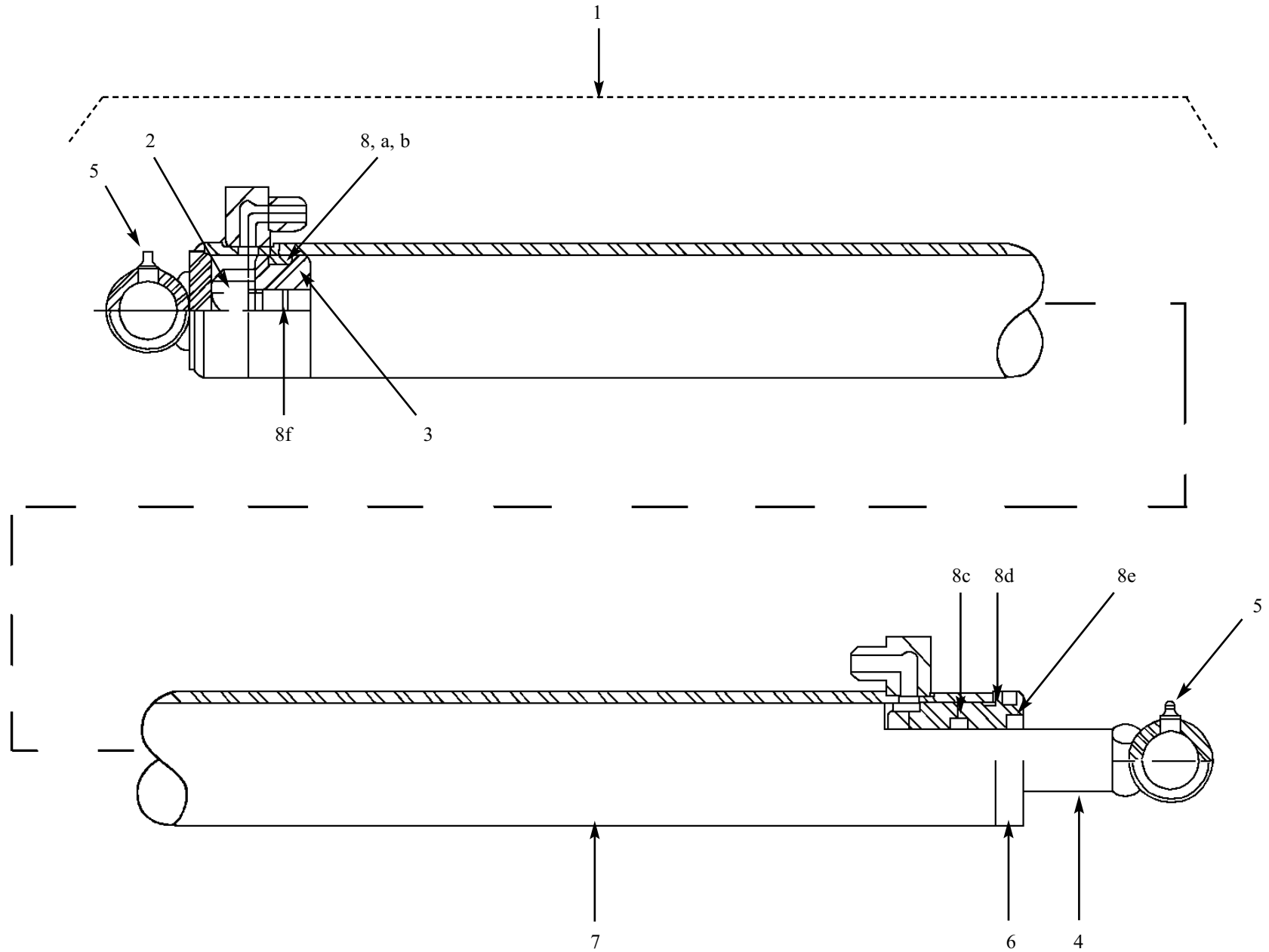


ITEM	PART No.	QTY.	DESCRIPTION
1.	036733SP	1	Breather, Oil Filler Locking
2.	019248SP	1	Elbow, 90°
3.	037206SP	1	Switch, Temperature Sender
4.	040333SP	1	Bushing, Reducer
5.	039754SP	1	Tube, Hyd. Tandem Pump Drain
6.	014866SP	1	Elbow, 90°
7.	040564SP	1	Filter, Hydraulic Line
8.	038441SP	1	Tee, Run
9.	038707SP	1	Valve, Check
10.	014867SP	1	Connector
11.	962956SP	1	Hose, Hydraulic 3/4" x 70" (Control Valve to Filter Inlet)
12.	040565SP	1	Element, Filter, Hyd. Oil
13.	960550SP	1	Hose, 1/2" x 37 1/2" (Filter Outlet to Tandem Pump Charge)
14.	960757SP	1	Restrictor, 90° Elbow
15.	962722SP	1	Hose, Hydraulic 3/8" x 29.88" (Drive Motor Drain)
16.	960547SP	1	Hose, Hydraulic 3/4" x 59 1/2" (Oil Tank to Gear Pump Inlet)
17.	019235SP	2	Elbow, 90°
18.	001191SP	10	Nut, Hex 5/16" (up to S/N LB003012)
19.	001870SP	10	Washer, Lock 5/16" (up to S/N LB003012)
20.	001651SP	10	Washer, Flat 5/16" (up to S/N LB003012)
21.	022381SP	1	Cover, Inspection Hole
22.	960659SP	1	Hose, 3/4" x 17" (Check Valve to Tank)
23.	032478SP	1	Magnet, Hydraulic Oil Tank (not shown)
24.	014898SP	1	Element, Hydraulic Oil Suction
25.	034903SP	2	Elbow, 90° Barbed
26.	034919SP	2	Clamp, Circle Two Ear
27.	000698SP	1	Tube, Clear Vinyl (Sold per foot)
28.	017144SP	1	Plug, Socket Head Magnetic Pipe
29.	030549SP	1	Heater, Hydraulic Oil (option)
30.	046458SP	1	Gasket, Oil Tank Inspection Cover

} Replaced by 43558 - Nut, Flange 5/16" (S/N LB003013 onward)

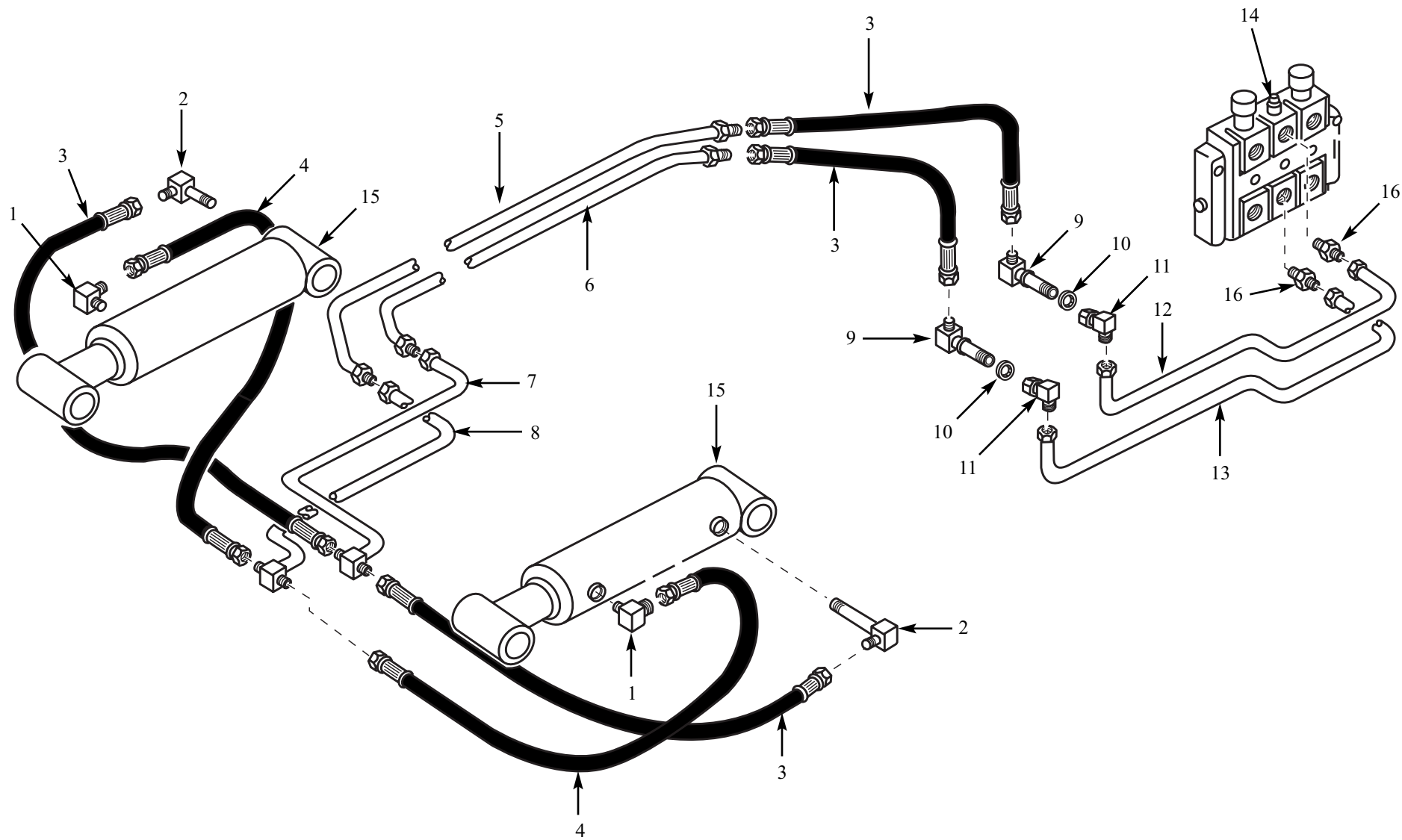


ITEM	PART No.	QTY.	DESCRIPTION
1.	***	2	Cylinder, see section 4.3
2.	962453SP	2	Hose, Hydraulic 1/4" x 23" (Bulkheads to Lift Cylinder Rear Ports)
3.	***	1	Control Valve, see section 4.7 ~ 4.9
4.	038719SP	1	Tube, Hydraulic Lift (Port B)
5.	038718SP	1	Tube, Hydraulic Lift (Port A)
6.	038390SP	4	Connector, Bulkhead 90°
7.	043901SP	4	Washer, Lock Internal Tooth
8.	038389SP	2	Tee, Run
9.	960760SP	2	Hose, Hydraulic 1/4" x 38" (Bulkheads to Lift Cylinder Rod End)
10.	039759SP	1	Tube, Hydraulic Lift Crossover
11.	038270SP	1	Tube, Hydraulic Lift, Tank Crossover
12.	019240SP	2	Connector (S/N's LB002578 & LB002672 onward)
	021121SP	2	Connector (up to S/N LB002671, except S/N LB002578)

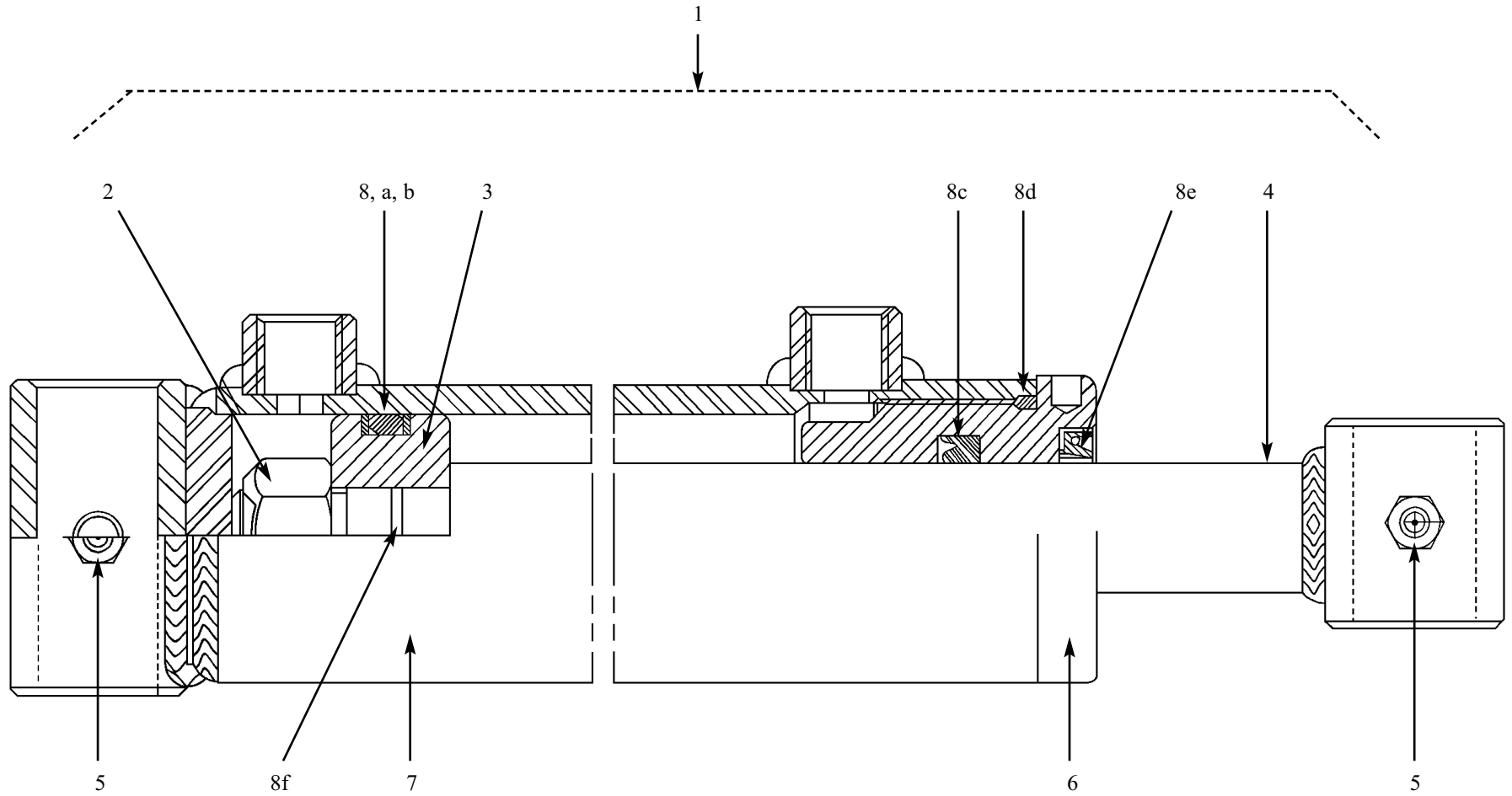




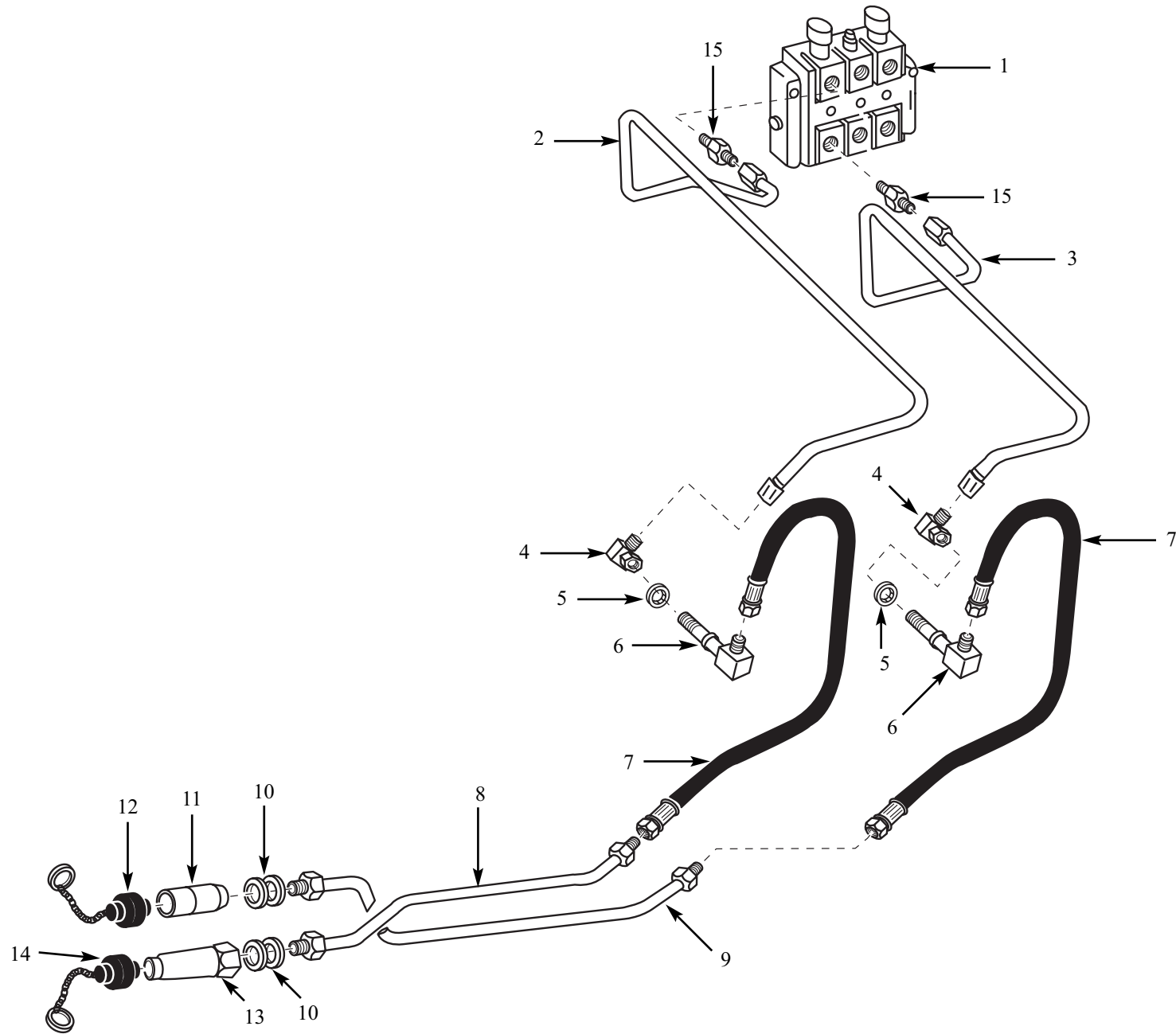
ITEM	PART No.	QTY.	DESCRIPTION
1.	038358SP	2	Cylinder Assembly (Pair required)
2.	023530SP	1	Nut, Cylinder Shaft
3.	029995SP	1	Piston
4.	038745SP	1	Rod, Hyd. Cylinder
5.	002010SP	2	Fitting, Grease
6.	029994SP	1	Cap, End, Hyd. Cylinder
7.	038746SP	1	Tube, Hydraulic Cylinder
8.	043444SP	1	Kit, Seal (includes 8a-f in diagram)



ITEM	PART No.	QTY.	DESCRIPTION
1.	021324SP	2	Elbow, 90°
2.	040973SP	2	Elbow, 90°
3.	958471SP	2	Hose, 1/4" x 29" (Bulkheads to Tilt Tubings)
4.	960554SP	2	Hose, Hydraulic 1/4" x 26.5" (Tilt Cyl. Rod End to Tee Under Step Plate)
5.	038256SP	1	Tube, Hyd. (Tilt-Lift Arm Outer)
6.	038255SP	1	Tube, Hyd. (Tilt-Lift Arm Inner)
7.	038257SP	1	Tube, Hyd. (Tilt Exterior)
8.	038258SP	1	Tube, Hyd. (Tilt Exterior)
9.	038390SP	2	Connector, Bulkhead 90°
10.	043901SP	2	Washer, Lock Internal Tooth
11.	015103SP	2	Elbow, 90° Swivel
12.	038717SP	1	Tube, Hyd. Tilt (Port B)
13.	038699SP	1	Tube, Hyd. Tilt (Port A)
14.	***	1	Control valve, see section 4.7 ~ 4.9
15.	***	2	Tilt cylinder, see section 4.5
16.	019240SP	2	Connector (S/N's LB002578 & LB002672 onward)
	021121SP	2	Connector (up to S/N LB002671, except S/N LB002578)



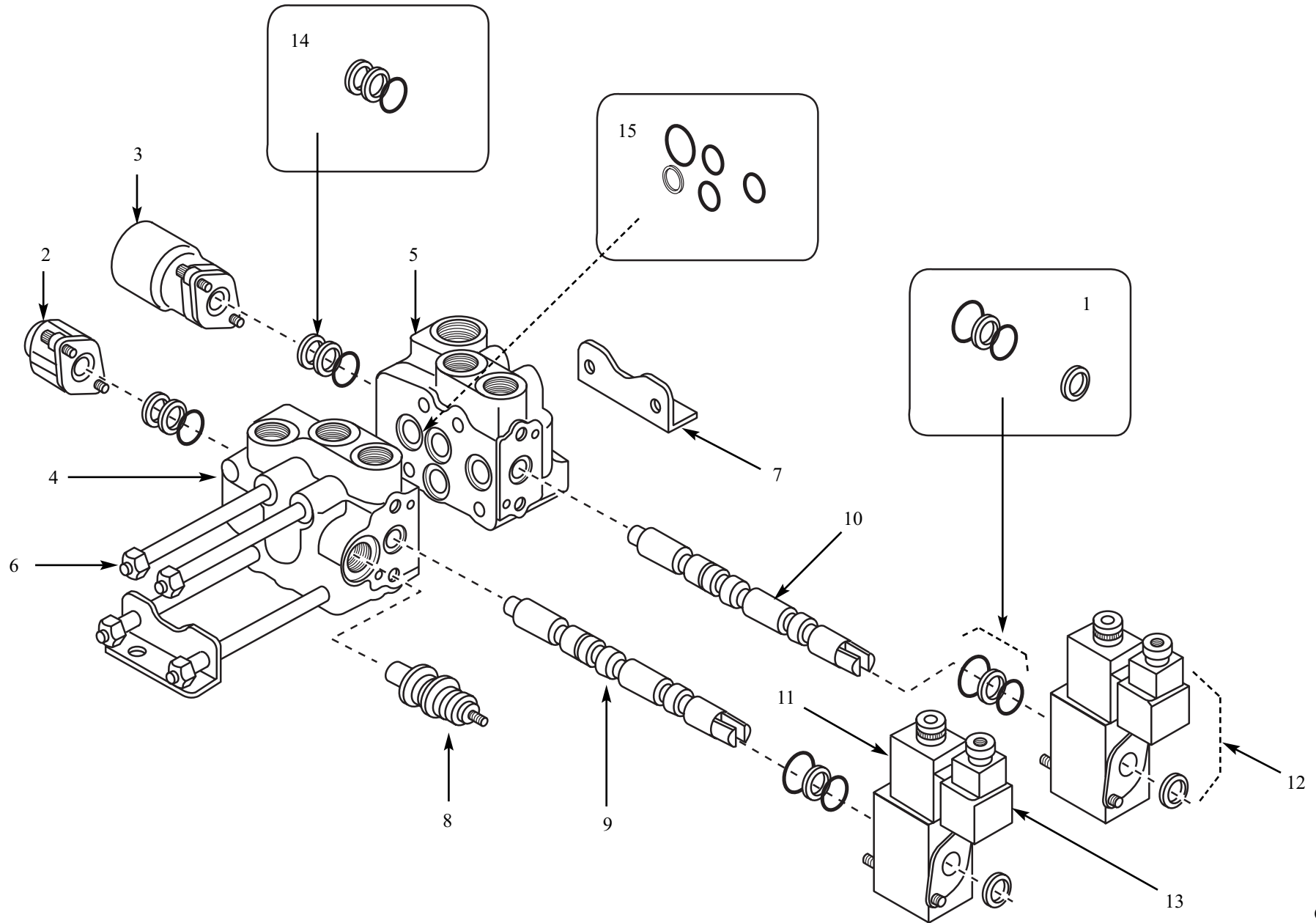
ITEM	PART No.	QTY.	DESCRIPTION
1.	029885SP	2	Cylinder Assembly (pair required)
2.	023530SP	1	Nut, Cyl. Shaft
3.	029995SP	1	Piston
4.	029998SP	1	Rod, Hyd. Cylinder
5.	002010SP	3	Fitting, Grease
6.	029994SP	1	Cap, End, Hyd. Cyl.
7.	029999SP	1	Tube, Hyd. Cylinder
8.	043444SP	1	Kit, Seal (includes 8a-f in diagram)



ITEM	PART No.	QTY.	DESCRIPTION
1.	***	1	Control valve, see section 4.8 ~ 4.9
2.	039758SP	1	Tube, Hyd. Auxiliary Port B
3.	039757SP	1	Tube, hyd. Auxiliary Port A
4.	015103SP	2	Elbow, 90°
5.	043901SP	2	Washer, Lock Internal Tooth
6.	038390SP	2	Connector, Bulkhead 90°
7.	958471SP	2	Hose, 1/4" x 29" (Bulkheads to Auxiliary Tubings)
8.	038259SP	1	Tube, Hydraulic (Auxiliary-Lift Arm Inner)
9.	038260SP	1	Tube, Hydraulic (Auxiliary-Lift Arm Outer)
10.	038742SP	4	Washer, Nylon
11.	048592SP	1	Coupling, Quick Disconnect Female Flush Face
12.	048594SP	1	Cap, Dust for Female Flush Face Coupling
13.	048593SP	1	Coupling, Quick Disconnect Male Flush Face
14.	048595SP	1	Cap, Dust for Male Flush Face Coupling
15.	019240SP	2	Connector (S/N's LB002578 & LB002672 onward)
	021121SP	2	Connector (up to S/N LB002671, except S/N LB002578)

# CONTROL VALVE, No Auxiliary (Up to S/N LB002671, excluding LB002578)

4.7(A)





ITEM	PART No.	QTY.	DESCRIPTION
------	----------	------	-------------

**If a replacement valve is required, you will need to order the following parts:**

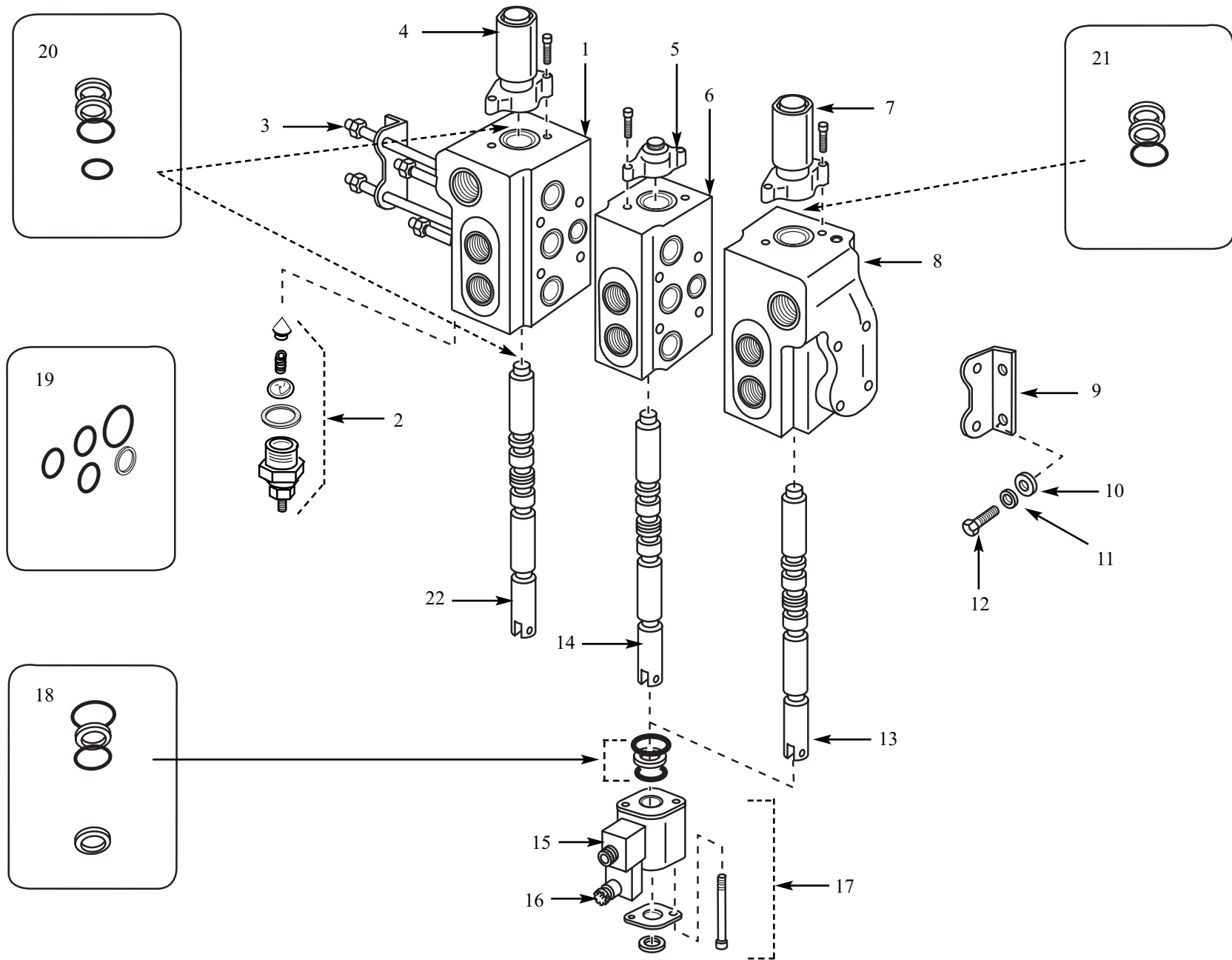
	048817SP	1	Valve, Assy. Manual Auxiliary
	965238SP	1	Valve Mount Assembly
	006645SP	3	Nut, Nylok 1/4" <i>(For valve mount)</i>
	045461SP	3	Washer, Flat 1/4" <i>(For valve mount)</i>
	018767SP	2	Plug <i>(use plugs in auxiliary port of new valve)</i>

**Spare parts for the older style 2 section valve (shown in C3287):**

1.	040135SP	2	Seal kit, solenoid lock side
2.	040127SP	1	Control, spring return
3.	040129SP	1	Detent, spring return kit
4.	040128SP	1	Section, inlet
5.	040130SP	1	Section, outlet
6.	040137SP	1	Bolt kit
7.	040131SP	2	Hanger, mount
8.	040138SP	1	Relief valve
9.	040139SP	1	Spool, tilt
10.	040134SP	1	Spool, lift (float)
11.	038614SP	2	Solenoid, coil
12.	040140SP	2	Solenoid and lock kit
13.	038615SP	2	Connector
14.	040133SP	2	Seal kit, spring return side
15.	040132SP	1	Seal kit, section

# CONTROL VALVE, Manual Auxiliary (Up to S/N LB002671, excluding LB002578)

4.7(B)



ITEM	PART No.	QTY.	DESCRIPTION
------	----------	------	-------------

**If a replacement valve is required, you will need to order the following parts:**

	048817SP	1	Valve, Assy. Manual Auxiliary
	965238SP	1	Valve Mount Assembly
	006645SP	3	Nut, Nylok 1/4" <i>(For valve mount)</i>
	045461SP	3	Washer, Flat 1/4" <i>(For valve mount)</i>

**Spare parts for the older style 3 section valve (shown in C2794):**

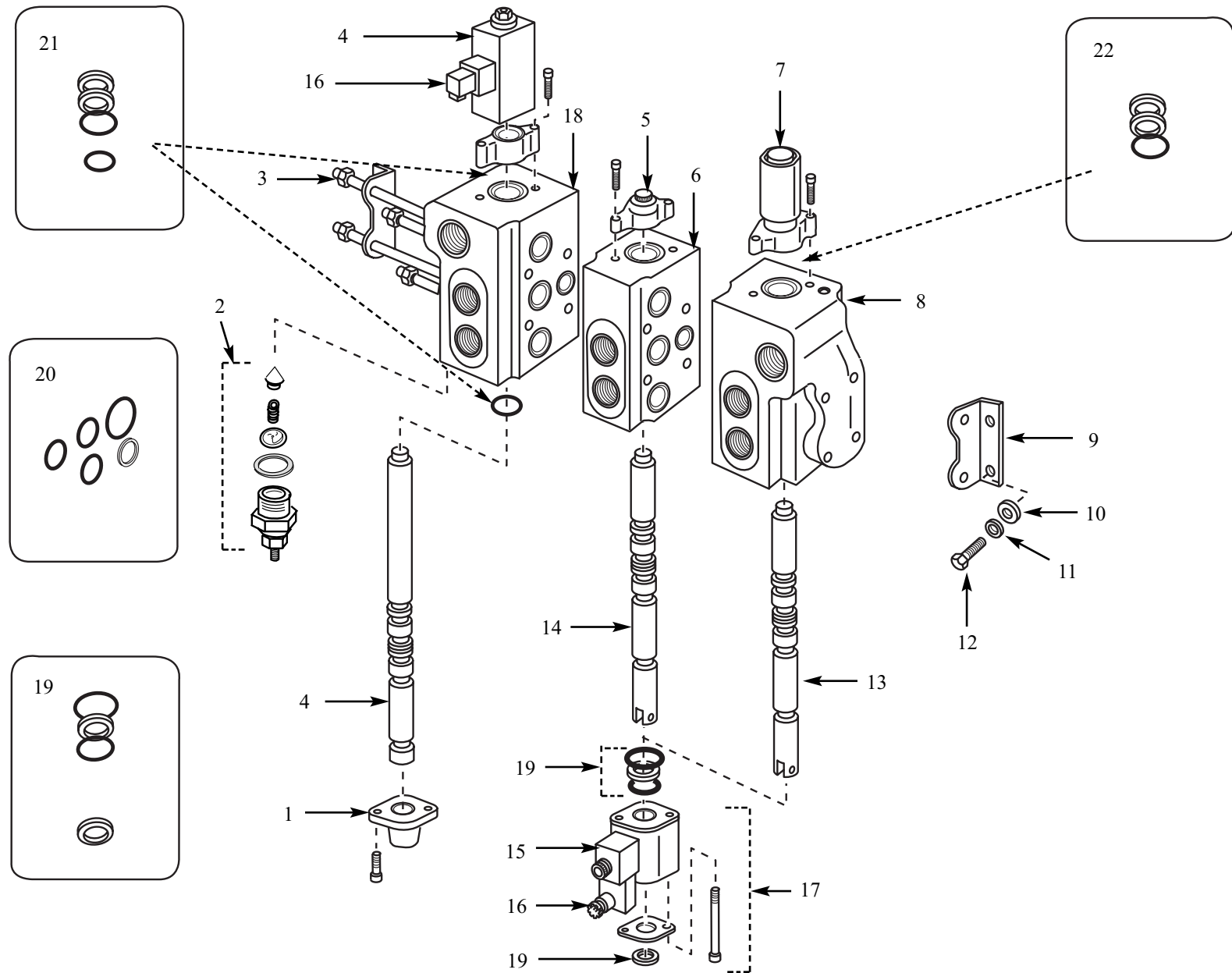
1.	040128SP	1	Section, inlet
2.	040138SP	1	Relief valve
3.	040143SP	1	Bolt kit
4.	040157SP	1	Kit, detent / spring return, aux
5.	040127SP	1	Kit, spring return, tilt
6.	040144SP	1	Section, parallel
7.	040129SP	1	Kit, detent / spring return, lift
8.	040130SP	1	Section, outlet
9.	040131SP	2	Hanger, mount
10.	001651SP	4	Flat washer
11.	001870SP	4	Lock washer
12.	002593SP	4	Bolt
13.	040134SP	1	Spool, lift (float)
14.	040139SP	2	Spool, tilt
15.	038614SP	2	Solenoid, coil
16.	038615SP	2	Connector
17.	040140SP	2	Kit, spool lock
18.	040135SP	2	Kit, spool seal, lock side
19.	040132SP	2	Kit, section seal
20.	040155SP	1	Kit, spool seal, auxiliary
21.	040133SP	2	Kit, spool seal, spring return / detent side
22.	040158SP	1	Kit, spool and detent

**CONTROL VALVE, Manual Auxiliary (Up to S/N LB002671, excluding LB002578)**

**4.7(B)**

# CONTROL VALVE, Electrical Auxiliary (Up to S/N LB002671, excluding LB002578)

4.7(C)



ITEM	PART No.	QTY.	DESCRIPTION
------	----------	------	-------------

**If a replacement valve is required, you will need to order the following parts:**

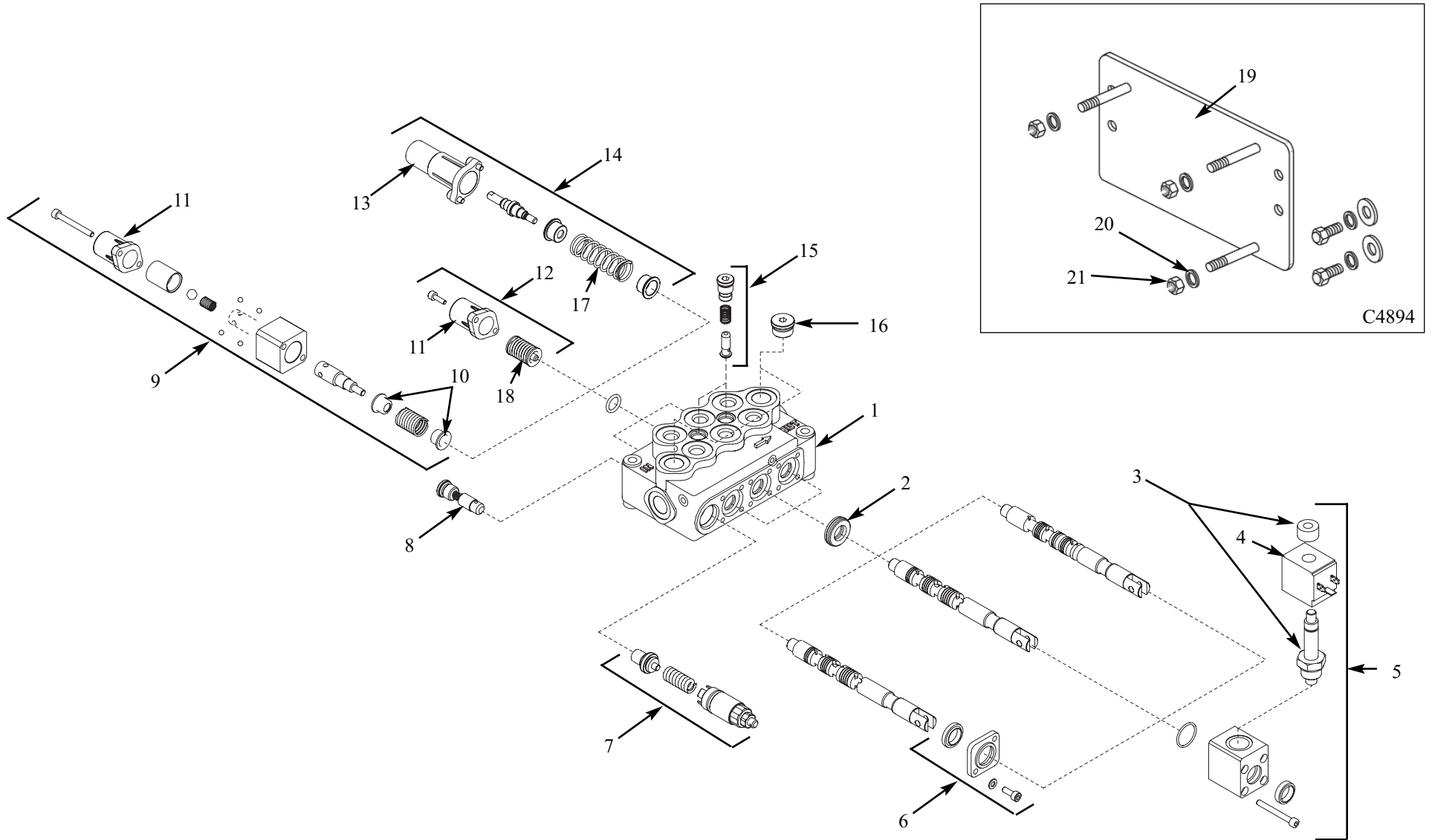
	048816SP	1	Valve, Assy. Solenoid Auxiliary
	965238SP	1	Valve Mount Assembly
	006645SP	3	Nut, Nylok 1/4" <i>(For valve mount)</i>
	045461SP	3	Washer, Flat 1/4" <i>(For valve mount)</i>

**Spare parts for the older style 3 section valve (shown in C2792):**

1.	040150SP	1	Cap, manual override
2.	040138SP	1	Relief valve
3.	040143SP	1	Bolt kit
4.	040146SP	1	Spool and solenoid assembly
5.	040127SP	1	Kit, spring return, tilt
6.	040144SP	1	Section, parallel
7.	040129SP	1	Kit, detent / spring return, lift
8.	040130SP	1	Section, outlet
9.	040131SP	2	Hanger, mount
10.	001651SP	4	Flat washer
11.	001870SP	4	Lock washer
12.	002593SP	4	Bolt
13.	040134SP	1	Spool, lift (float)
14.	040139SP	2	Spool, tilt
15.	038614SP	2	Solenoid, coil
16.	038615SP	2	Connector
17.	040140SP	2	Kit, spool lock
18.	040128SP	1	Section, inlet
19.	040135SP	2	Kit, spool seal, lock side
20.	040132SP	2	Kit, section seal
21.	040155SP	1	Kit, spool seal, auxiliary
22.	040133SP	2	Kit, spool seal, spring return / detent side

# CONTROL VALVE, Manual Auxiliary (S/N LB002672 onward & S/N LB002578)

4.7(D)

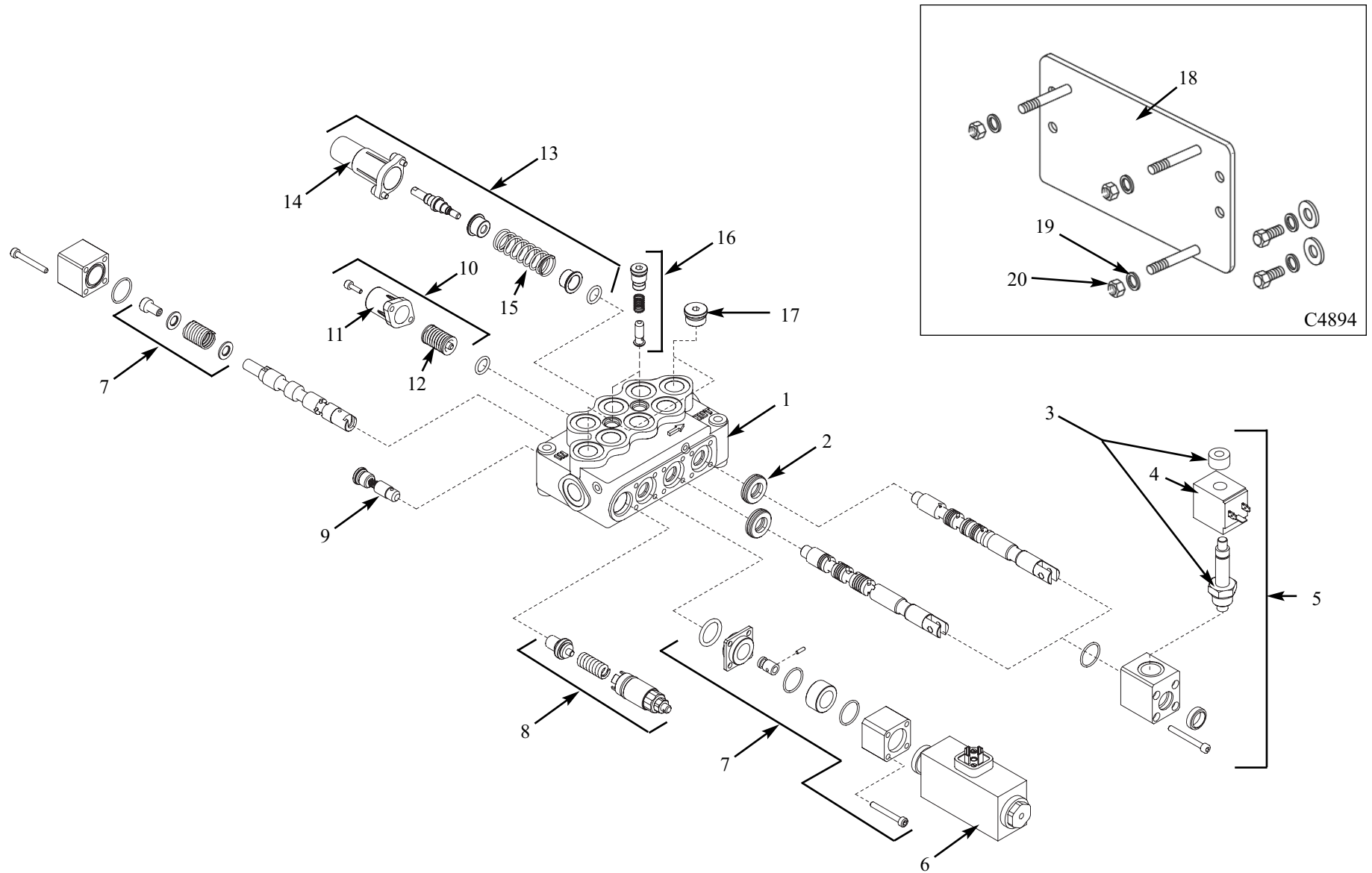


C4893

ITEM	PART No.	QTY.	DESCRIPTION
1.	048817SP	1	Valve, Assy. Manual Auxiliary
2.	052707SP	1	Ring, Spool
3.	052076SP	2	Spool Lock Assy.
4.	049083SP	2	Coil, Solenoid Lock Assy.
5.	052706SP	2	Kit, Spool Lock
6.	052701SP	1	Kit, Flange w/ Seal, Manual Auxiliary
7.	052075SP	1	Relief Valve Complete
8.	052708SP	1	Check Valve
9.	052700SP	1	Kit, Centering Manual Auxiliary
10.	052073SP	1	Spring, Aux Spool
11.	052074SP	2	End Cap, Tilt Spool
12.	052703SP	1	Kit, Centering Tilt Spool
13.	052080SP	1	End Cap, Lift Spool
14.	052702SP	1	Kit, Centering w/ Detent Lift Spool
15.	052078SP	1	Check Valve, Complete
16.	052705SP	2	Plug
17.	052079SP	1	Kit, Cap and Spring, Lift Spool
18.	052483SP	1	Spring, Tilt Spool
19.	965238SP	1	Valve Mount Assy.
20.	045461SP	3	Washer, Flat 1/4"
21.	006645SP	3	Nut, Nylok 1/4"
*	052083SP	1	Seal Kit, Complete

# CONTROL VALVE, Electric Auxiliary (S/N LB002672 onward & S/N LB002578)

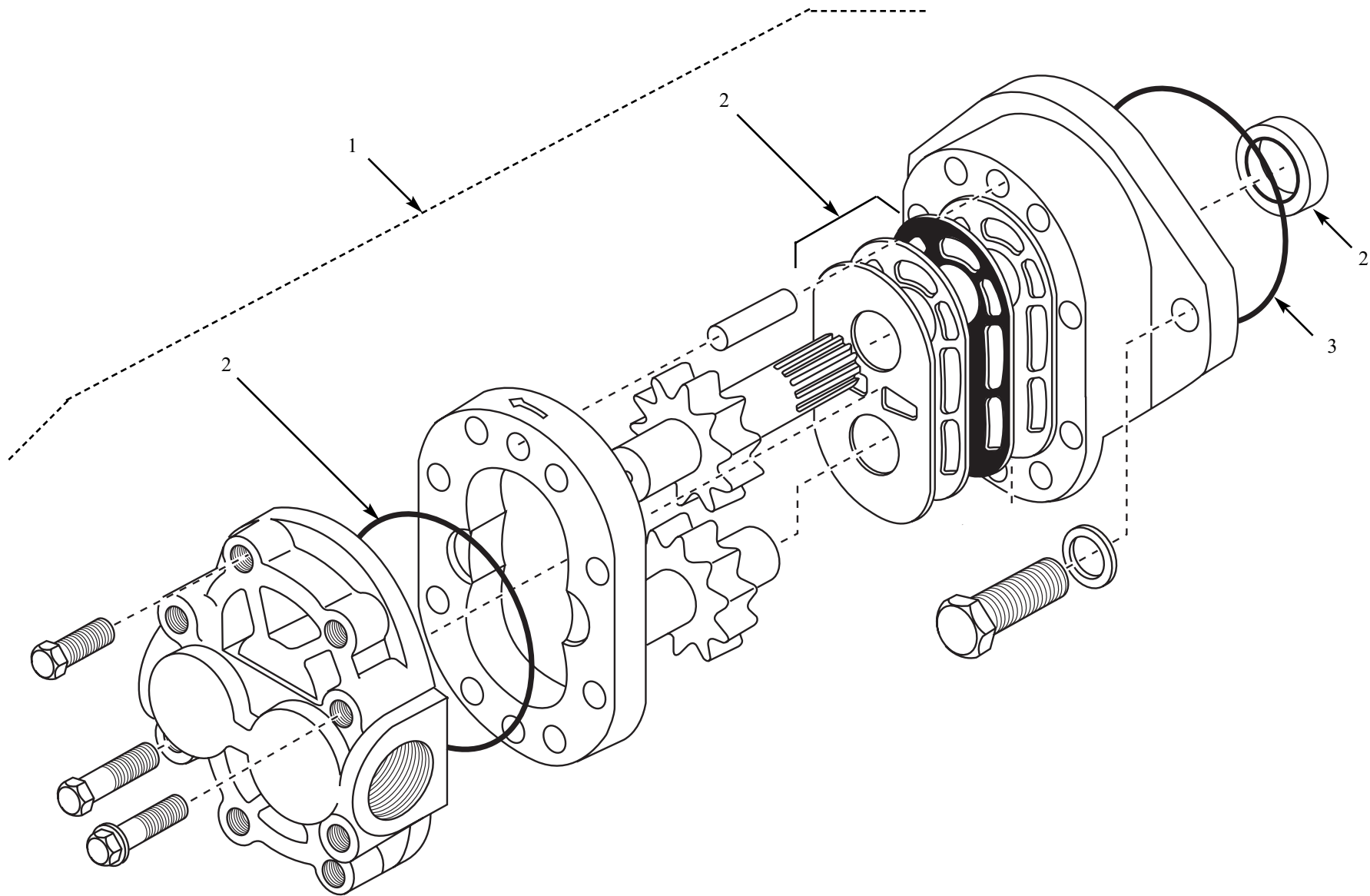
4.7(E)



C4892



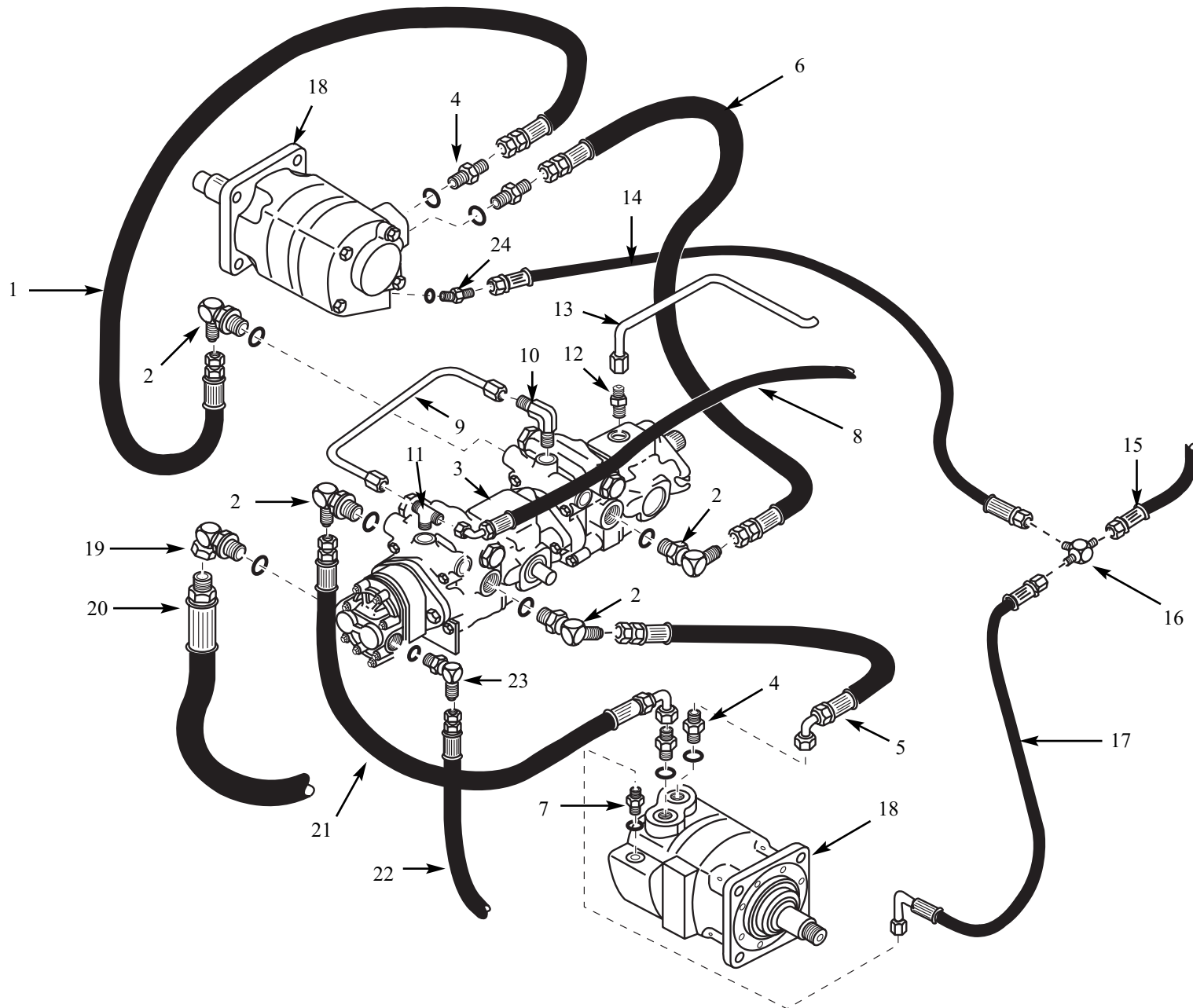
ITEM	PART No.	QTY.	DESCRIPTION
1.	048816SP	1	Valve, Assy. Solenoid Auxiliary
2.	052707SP	2	Ring, Spool
3.	052076SP	2	Spool Lock Assy.
4.	049083SP	2	Coil, Solenoid Lock Assy.
5.	052706SP	2	Kit, Spool Lock
6.	052077SP	1	Solenoid Assy.
7.	052704SP	1	Kit, Centering, Auxiliary Solenoid
8.	052075SP	1	Relief Valve Complete
9.	052708SP	1	Check Valve
10.	052703SP	1	Kit, Centering Tilt Spool
11.	052074SP	1	End Cap, Tilt Spool
12.	052483SP	1	Spring, Tilt Spool
13.	052702SP	1	Kit, Centering w/ Detent Lift Spool
14.	052080SP	1	End Cap, Lift Spool
15.	052079SP	1	Kit, Cap and Spring, Lift Spool
16.	052078SP	1	Check Valve, Complete
17.	052705SP	1	Plug
18.	965238SP	1	Valve Mount Assy.
19.	045461SP	3	Washer, Flat 1/4"
20.	006645SP	3	Nut, Nylok 1/4"
*	052083SP	1	Seal Kit, Complete



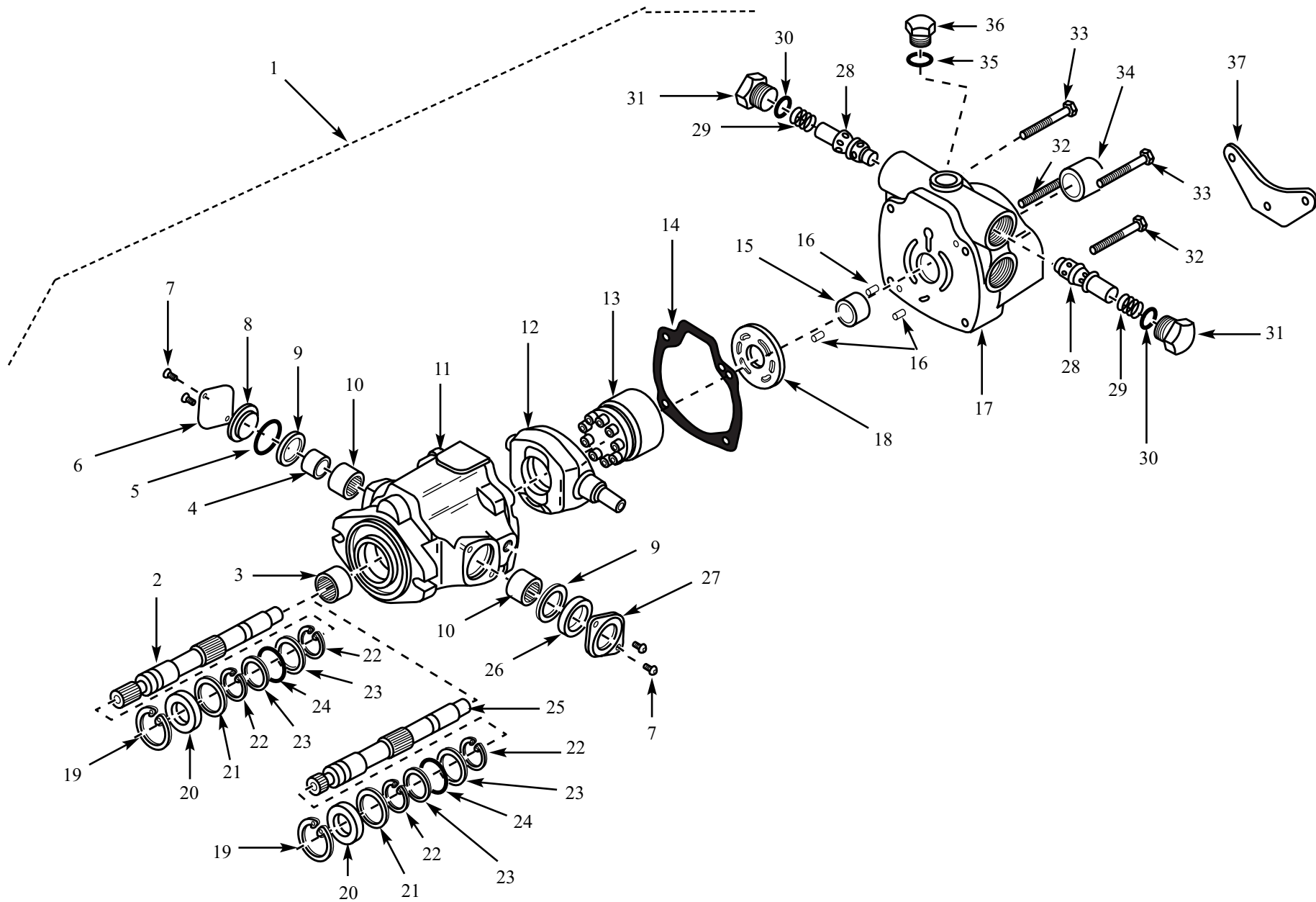
<b>ITEM</b>	<b>PART No.</b>	<b>QTY.</b>	<b>DESCRIPTION</b>
1.	008767SP	1	Gear Pump
2.	951078SP	1	Seal kit
3.	008786SP	1	O-ring

## **5. HYDROSTATIC DRIVE SYSTEM**

<b>Hydrostatic Drive Circuit .....</b>	<b>5.1</b>
<b>Hydrostatic Pump .....</b>	<b>5.2</b>
<b>Torque Motor .....</b>	<b>5.3</b>

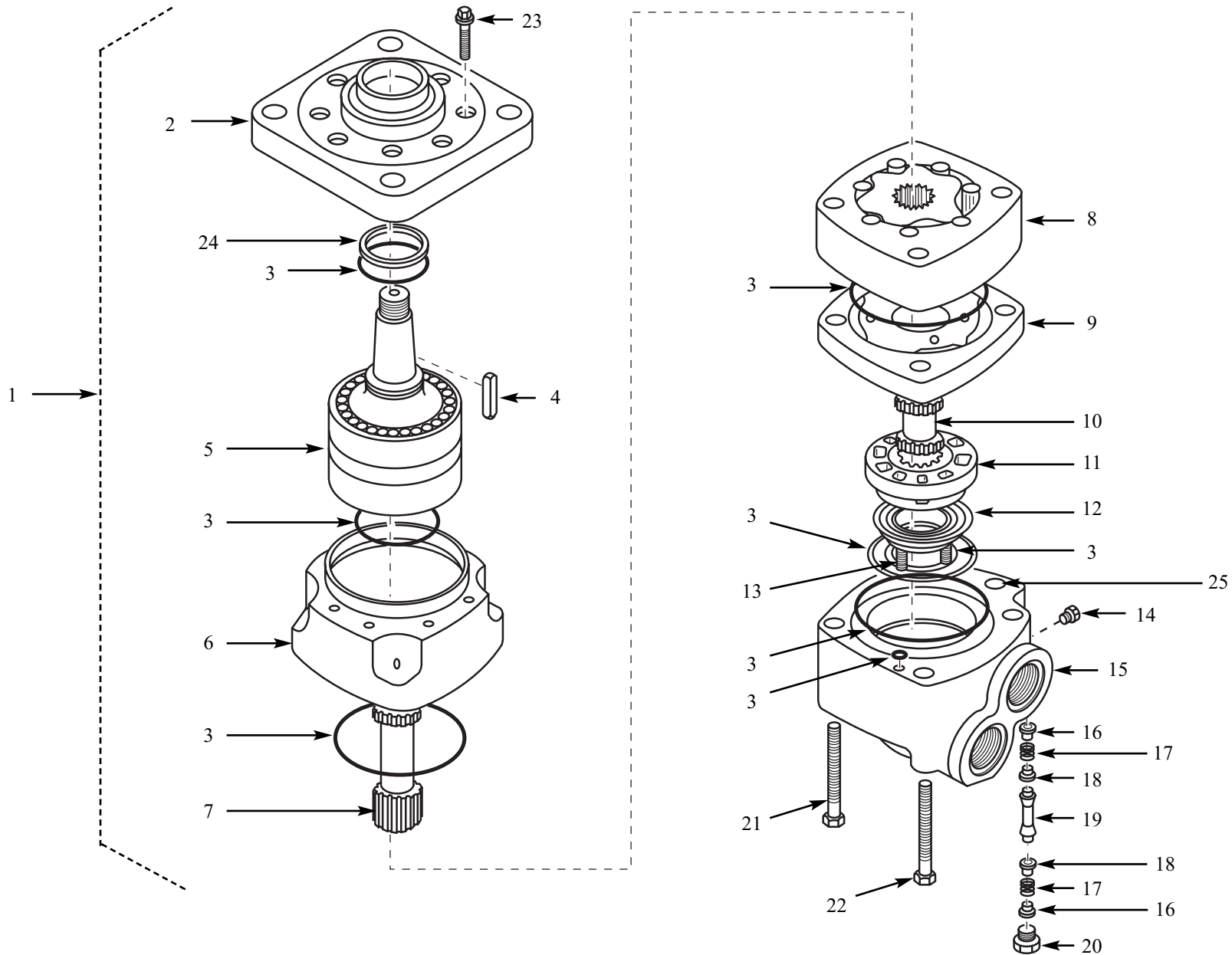


ITEM	PART No.	QTY.	DESCRIPTION
1.	960552SP	1	Hose, 1/2" x 17 1/2" (Rear Tandem Pump to RH Torque Motor)
2.	025011SP	4	Elbow, 90°
3.	***	1	Tandem Pump Assembly, See Section 5.2
4.	020182SP	4	Connector
5.	955571SP	1	Hose, Hydraulic 1/2" x 17 1/2" (Front Tandem Pump to LH Torque Motor)
6.	960553SP	1	Hose, 1/2" x 27" (Rear Tandem Pump to RH Torque Motor)
7.	019240SP	1	Connector
8.	960550SP	1	Hose, 1/2" x 37 1/2" (Filter Outlet to Tandem Pump Charge)
9.	039043SP	1	Tube, Hydraulic
10.	023388SP	1	Elbow, 90°
11.	038393SP	1	Tee, Branch
12.	019238SP	1	Connector
13.	039754SP	1	Tube, Hydraulic Tandem Pump Drain
14.	962724SP	1	Hose, Hydraulic 3/8" x 12.38" (up to S/N LB002964)
	965484SP	1	Hose, Hydraulic 3/8" x 8 3/8" (S/N LB002965 onward)
15.	962722SP	1	Hose, Hydraulic 3/8" x 29.88"
16.	021126SP	1	Tee, Union
17.	962723SP	1	Hose, Hydraulic 3/8" x 16.88"
18.	***	2	Torque Motor (drive), See Section 5.3
19.	014866SP	1	Elbow, 90°
20.	960547SP	1	Hose, Hydraulic 3/4" x 59 1/2" (Oil Tank to Gear Pump Inlet)
21.	960551SP	1	Hose, 1/2" x 15 1/2" (Front Pump to LH Torque Motor)
22.	960548SP	1	Hose, 1/2" x 73" (Gear Pump to Valve)
23.	019232SP	1	Elbow, 90°
24.	043190SP	1	Elbow, 45°



ITEM	PART No.	QTY.	DESCRIPTION	ITEM	PART No.	QTY.	DESCRIPTION
1.	044048SP	1	Pump, Hydraulic Tandem Assembly	25.	39141	1	Shaft, Drive - Splined
2.	008851SP	1	Shaft, Drive	26.	37641	1	Seal, Shaft
3.	**	1	Bearing (part of housing)	27.	37642	1	Cover, Seal
4.	008847SP	1	Race, Inner	28.	39151	2	Relief Valve
5.	039143SP	1	O-Ring	29.	39152	2	Spring
6.	037644SP	1	Cover, Trunnion Cover	30.	39153	2	O-Ring
7.	034473SP	4	Screw	31.	39154	2	Plug Assembly
8.	037643SP	1	O-Ring Cover	32.	39157	2	Cap Screw
9.	037640SP	1	Washer	33.	39148	2	Screw, Cap
10.	008846SP	2	Bearing	34.	39149	1	Coupler, section to section
11.	039142SP	1	Housing, Assembly	35.	39156	1	O-Ring
*	039175SP	1	Pump, Manually Variable, Front (next to engine)	36.	39155	1	Plug Assembly
12.	037645SP	1	Plate, Cam	37.	39161	1	Bracket, Mounting
13.	037646SP	1	Rotating Group				
14.	008789SP	1	Gasket				
15.	**	1	Bearing (part of back plate)				
16.	037647SP	3	Pin, Dowel				
17.	039150SP	1	Backplate Assembly				
18.	039147SP	1	Valve plate				
19.	008797SP	1	Ring, Snap				
20.	008799SP	1	Seal				
21.	037638SP	2	Washer				
22.	008798SP	2	Ring, Snap				
23.	008844SP	1	Race, Thrust				
24.	008843SP	1	Bearing, Thrust				

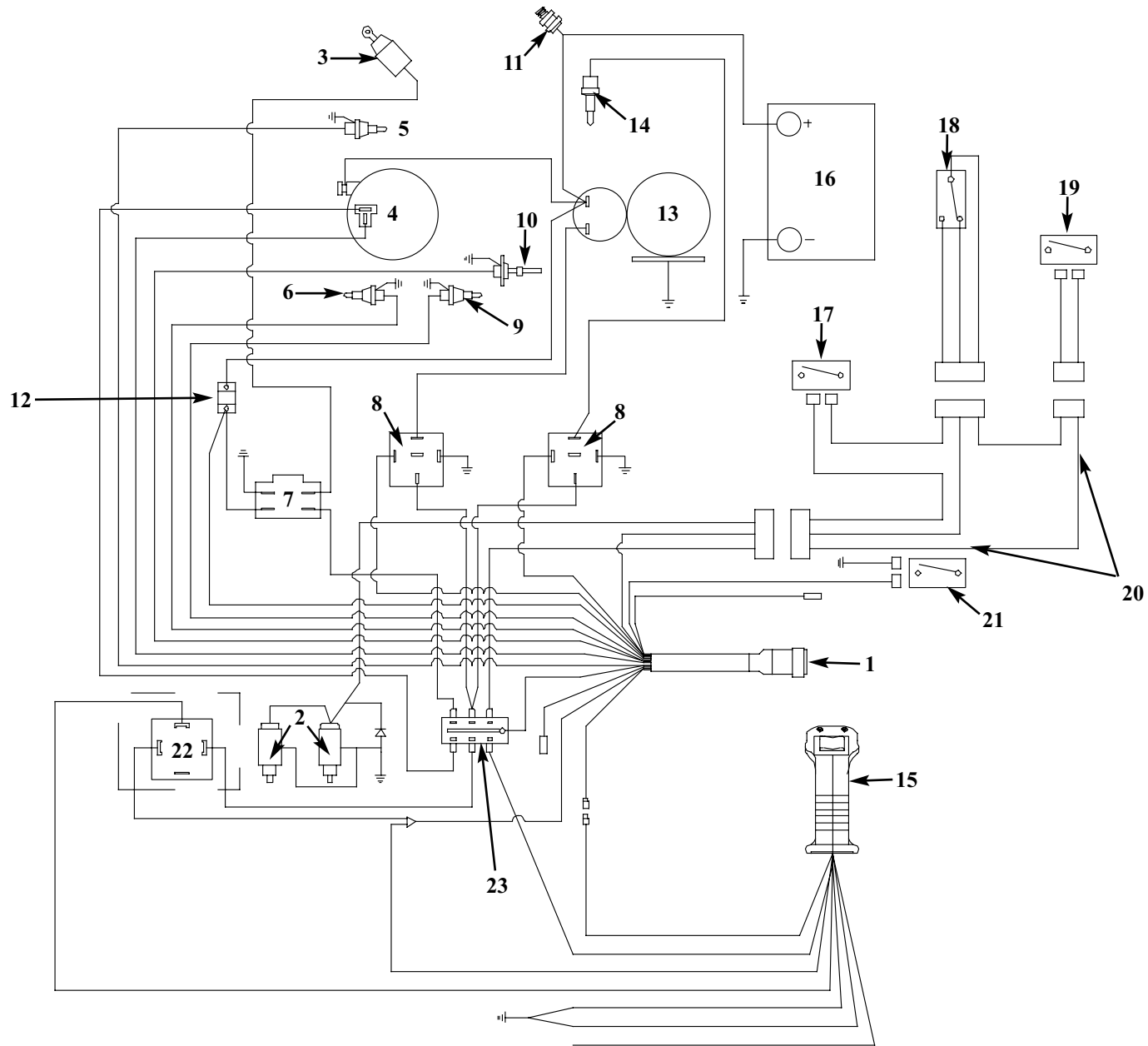




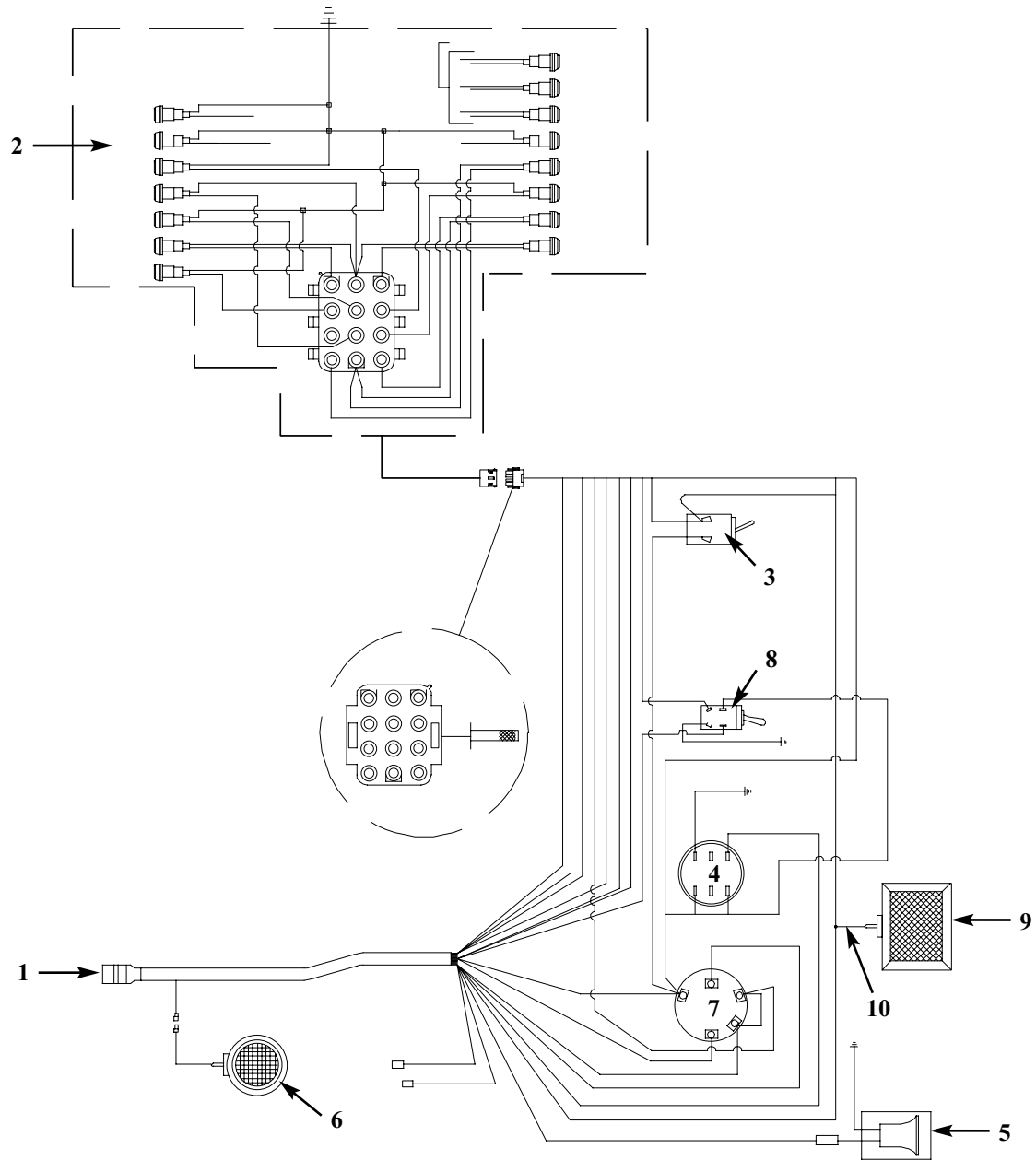
ITEM	PART No.	QTY.	DESCRIPTION
1.	038338SP	1	Torque motor (2 required)
2.	025344SP	1	Front retainer
3.	024984SP	1	Seal kit
4.	024986SP	1	Key
5.	039172SP	1	Shaft and bearing assembly
6.	024987SP	1	Bearing housing
7.	025347SP	1	Main drive shaft
8.	024989SP	1	Geroler sub assembly
9.	024990SP	1	Valve plate
10.	024991SP	1	Valve drive shaft
11.	024992SP	1	Valve
12.	024993SP	1	Balance ring
13.	022109SP	2	Spring
14.	022110SP	1	Plug
15.	024994SP	1	Valve housing
16.	022111SP	2	Sleeve, dash pot
17.	022115SP	2	Spring
18.	022119SP	2	Poppet
19.	022120SP	1	Piston
20.	022121SP	1	Plug
21.	024996SP	2	Bolt
22.	024997SP	2	Bolt
23.	024982SP	8	Cap screw
24.	024983SP	1	Back -up ring
25.	024995SP	1	Plug

**6. ELECTRICAL SYSTEM**

**Electrical Schematic, Engine ..... 6.1**  
**Electrical Schematic, ROPS ..... 6.2**



ITEM	PART No.	QTY.	DESCRIPTION
1.	044289SP	1	Harness, Wire Engine
2.	038614SP	2	Solenoid, 12 V DC for Valve Lock (up to S/N LB002671)
3.	038826SP	1	Solenoid, Stop
4.	039185SP	1	Alternator, Self Regulating 40 Amp
5.	037206SP	1	Switch, Temperature Sender (Hydraulic)
6.	037206SP	1	Switch, Temperature Sender (Engine Coolant)
7.	039738SP	1	Timer, Key Stop (comes with harness)
8.	039840SP	2	Relay, 12V 40A SPDT Form C c/w Bracket
9.	018724SP	1	Switch, Oil Sender
10.	041625SP	1	Sender, Fuel Level
11.	037104SP	1	Lug, External Boosting
12.	039950SP	1	Breaker, Circuit, 30 Amp
13.	039184SP	1	Starter, 1 kW
14.	039186SP	4	Plug, Glow
15.	044182SP	1	Handle, Ergonomic w/Rocker & 2 PB Switches
16.	038870SP	1	Battery, 12V Dual Post 550CCA
17.	040582SP	1	Switch, Momentary (Restraint Bar Switch)
18.	961372SP	1	Seat Belt 2"
	964330SP	1	Kit, 2" Seat Belt Retractable (Option)
	963406SP	1	Kit, 3" Seat Belt Retractable (Option)
19.	038516SP	1	Switch, Seat
20.	039965SP	1	Harness, Seat and Seat Belt
21.	040583SP	1	Switch, Momentary (Brake Light Switch)
22.	040146SP	1	Kit, Spool and Solenoid (up to S/N LB002671)
23.	039540SP	1	Panel, Fuse & Circuit Breaker
	039119SP	1	Fuse, Automotive 30A
	039121SP	1	Fuse, Automotive 15A
	039122SP	2	Fuse, Automotive 10A
*	051553SP	1	Switch, Backup Alarm (Option)
*	042187SP	1	Alarm, Backup (Optional Horn)



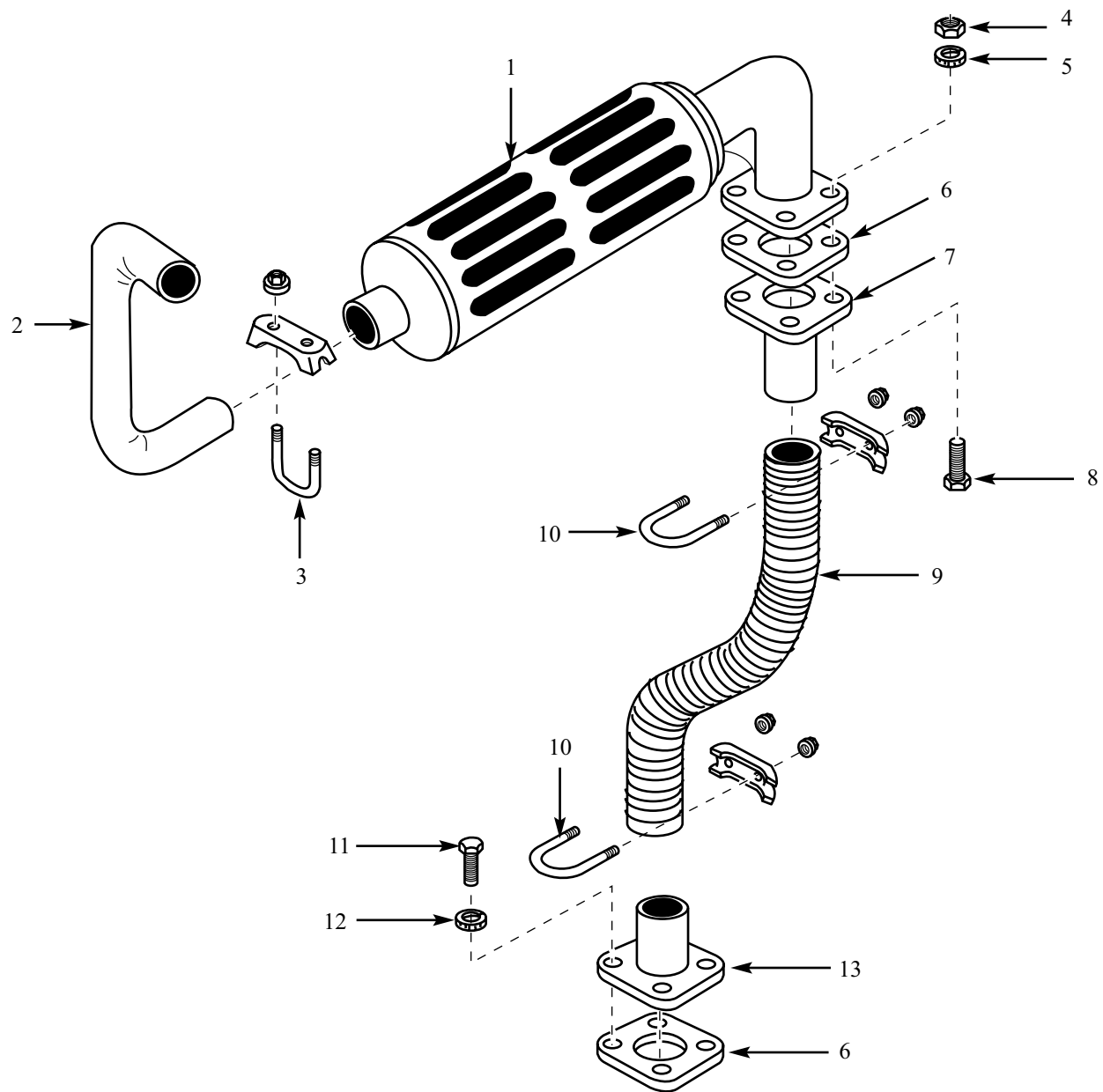
ITEM	PART No.	QTY.	DESCRIPTION
1.	039865SP	1	Harness, ROPS Wire
2.	049068SP	1	Panel, Indicator Display (S/N LB002720 onward)
	965221SP	1	Kit, Dash Panel Replacement (up to S/N LB002719)
3.	039123SP	1	Switch, Toggle SPST (Worklight)
4.	046671SP	1	Meter, Fuel/Hour (S/N LB002500 onward)
	038577SP	1	Gauge, Fuel (up to S/N LB002499)
	038671SP	1	Hourmeter, Rectangular (up to S/N LB002499)
5.	040918SP	1	Alarm, Fast Sounding (Option)
6.	029971SP	1	Lamp, Round Back-Up (Rear Work Light - Option)
7.	019605SP	1	Switch, Ignition
*	018683SP	1	Key, Ignition
8.	039124SP	1	Switch, Toggle DPST (Optional Hydraulics)
9.	047468SP	1	Lamp, Halogen Assy (Front Headlight)
*	047861SP	1	Bulb, Halogen 50W-12V
10.	047469SP	1	Harness, Wire Halogen Lamp

\* Item not shown

**7. ENGINE**

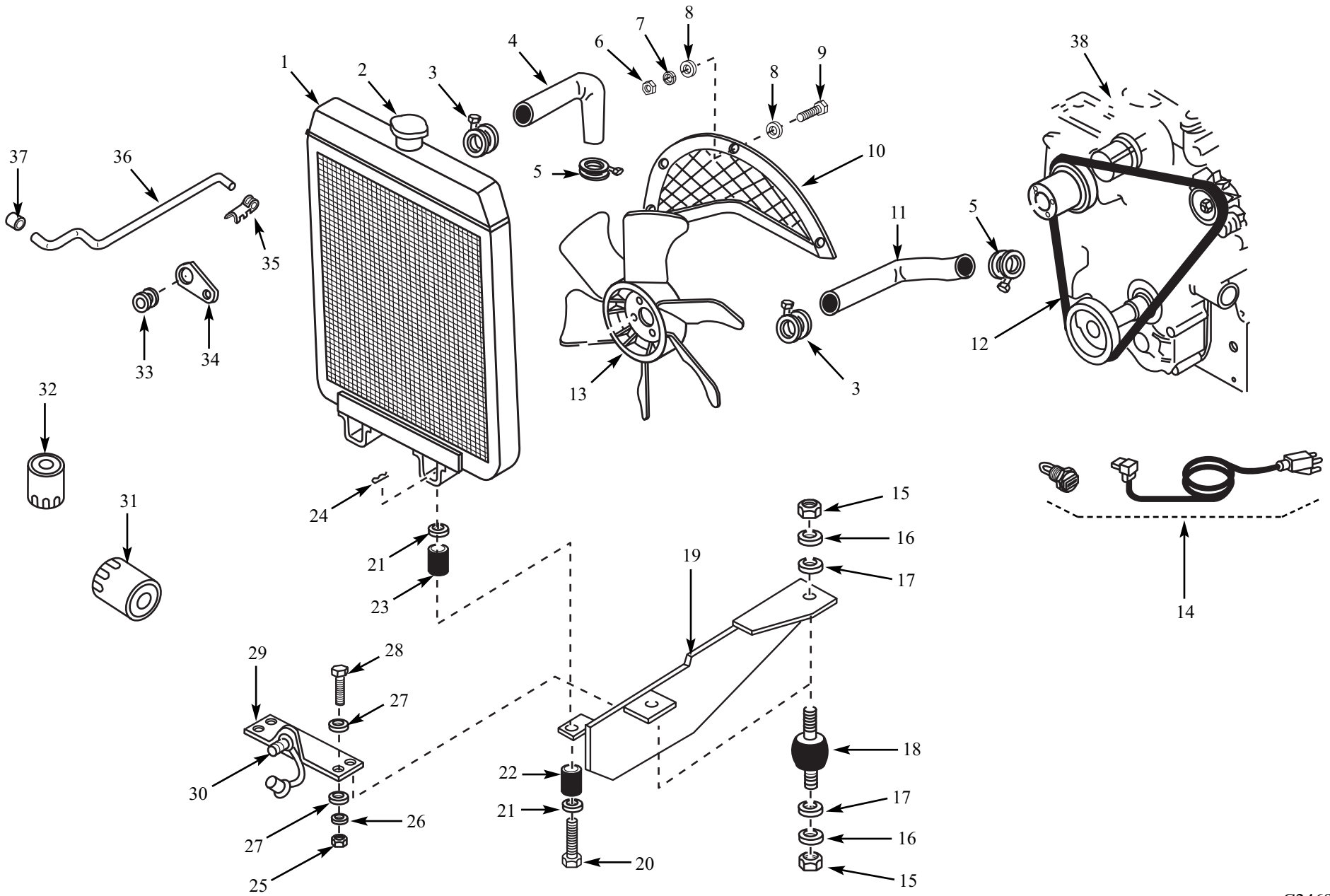
**Exhaust System ..... 7.1**  
**Radiator and Engine Mounts ..... 7.2**  
**Air Cleaner ..... 7.3**  
**Universal Joint ..... 7.4**





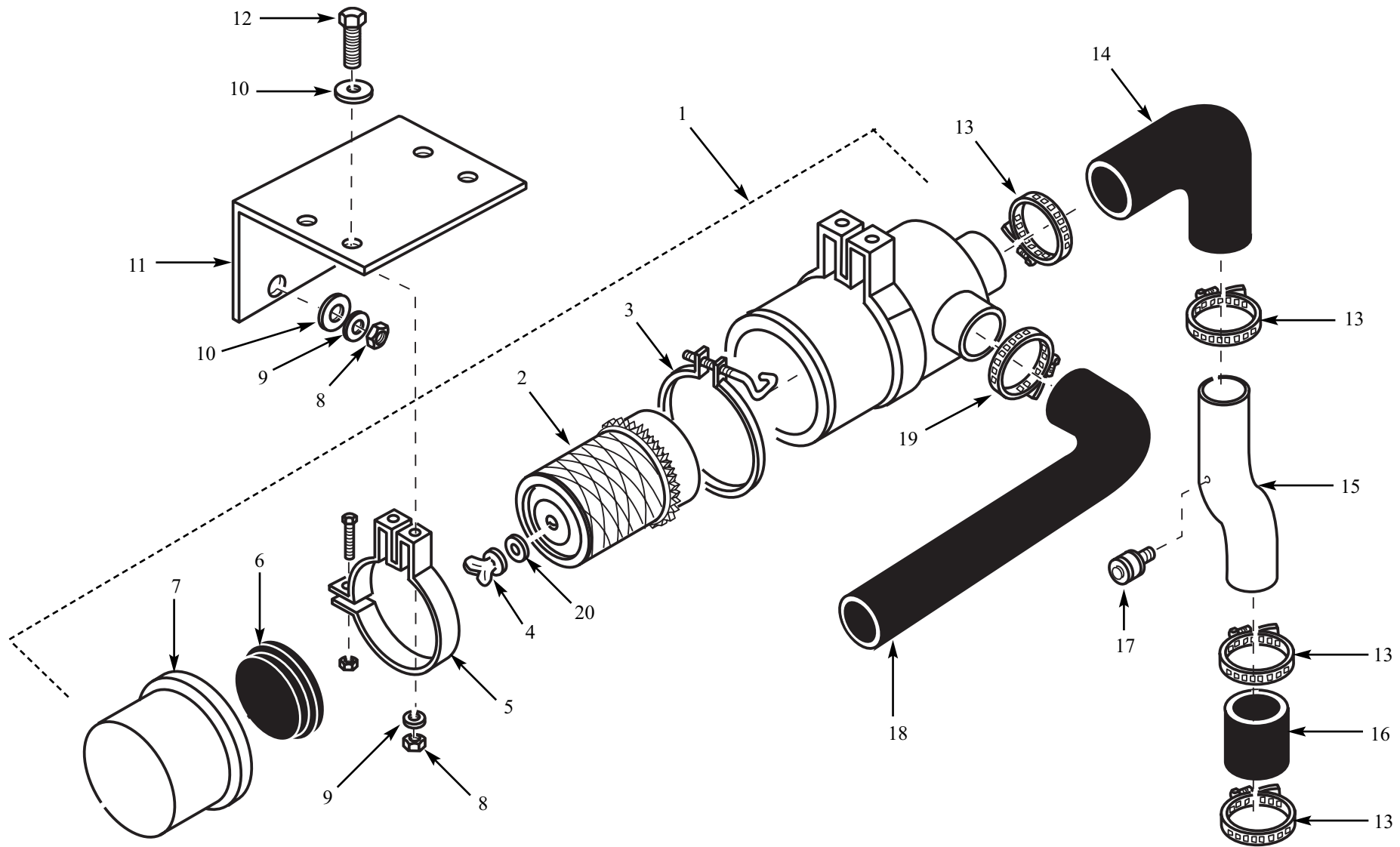
ITEM	PART No.	QTY.	DESCRIPTION
1.	039069SP	1	Muffler
2.	038659SP	1	Pipe, Exhaust
3.	049283SP	1	Clamp, Muffler 1 3/8"
4.	001191SP	4	Nut, Hex 5/16"
5.	001870SP	4	Washer, Lock 5/16"
6.	019765SP	2	Gasket, Exhaust
7.	960739SP	1	Flange, Exhaust Assy (Long)
8.	002580SP	4	Bolt, Hex 5/16" x 1 1/4"
9.	038833SP	1	Pipe, Flex-Exhaust 1 3/4" ID x 16"
10.	013125SP	2	Clamp, Muffler 1 3/4"
11.	022968SP	4	Bolt, Hex 10 x 20mm
12.	021028SP	4	Washer, Lock 10mm
13.	960737SP	1	Flange, Exhaust Assy (Short)

**Catalytic Purifier Kit 961259**



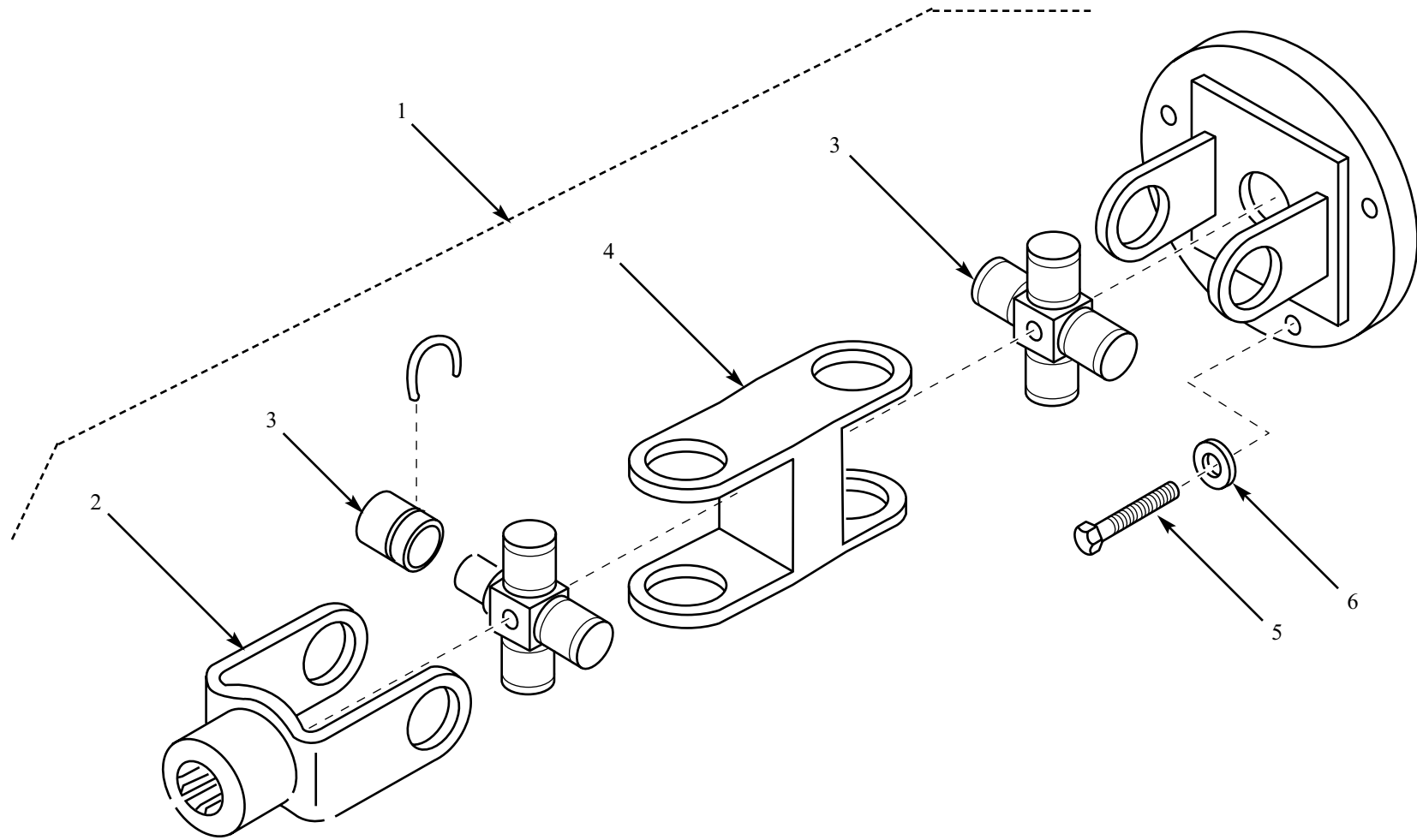
ITEM	PART No.	QTY.	DESCRIPTION
1.	039162SP	1	Radiator Assy. (Includes Item 2)
2.	019572SP	1	Cap, Radiator
3.	039499SP	2	Clamp, Hose
4.	039497SP	1	Pipe, Water
5.	039498SP	1	Clamp, Hose
6.	001350SP	4	Nut, Hex 1/4"
7.	002279SP	4	Washer, Lock 1/4"
8.	001650SP	4	Washer, Flat 1/4"
9.	002663SP	4	Bolt, Hex 1/4" x 3/4"
10.	039490SP	1	Cover, Fan
11.	039496SP	1	Pipe, Water
12.	039432SP	1	V-belt
13.	028892SP	1	Fan, 5 Blade, Pusher (Std.)
	039853SP	1	Fan, Puller
14.	038658SP	1	Heater, Block (Optional)
15.	038420SP	8	Nut, Hex 10mm
16.	021028SP	8	Washer, Lock 10mm
17.	001643SP	8	Washer, Flat 3/8"
18.	038348SP	4	Isolator, Rubber Engine
19.	961009SP	1	Mount, RH Engine Assy. (Shown)
	961008SP	1	Mount, LH Engine Assy (Not Shown)
20.	039164SP	2	Bolt
21.	018469SP	4	Washer
22.	018467SP	2	Cushion, rubber
23.	039167SP	2	Cushion, rubber
24.	039168SP	2	Pin, Snap
25.	001191SP	4	Nut, Hex 5/16"
26.	001870SP	4	Washer, Lock 5/16"
27.	001651SP	8	Washer, Flat 5/16"
28.	008744SP	4	Bolt, Hex 5/16" x 1"
29.	040101SP	1	Sheet, Lug Mount

ITEM	PART No.	QTY.	DESCRIPTION
30.	037104SP	1	Lug, External Boosting
31.	018717SP	1	Filter, Engine Oil
32.	018685SP	1	Filter, Fuel
33.	039845SP	1	Grommet
34.	043849SP	1	Sheet, Rod Guide
35.	017670SP	1	Clip, Throttle Rod, LH
36.	040267SP	1	Bar, Manual Shut Off
37.	039209SP	1	Cap, End Red
38.	049793SP	1	Engine Assy D722, Tier II



ITEM	PART No.	QTY.	DESCRIPTION
1.	038337SP	1	Cleaner, Air Assy.
2.	038462SP	1	Element, Air Filter
3.	038465SP	1	Clamp, Filter
4.	006272SP	1	Screw, Thumb
5.	038394SP	2	Band, Mounting, Air Cleaner
6.	038463SP	1	Baffle, Filter
7.	038464SP	1	Cup, Filter
8.	001191SP	6	Nut, Hex 5/16"
9.	001870SP	6	Washer, Lock 5/16"
10.	001651SP	6	Washer, Flat 5/16"
11.	038978SP	1	Sheet, Air Cleaner Mount
12.	006081SP	4	Bolt, Hex 5/16" x 3/4"
13.	015521SP	4	Clamp, Hose #24
14.	038369SP	1	Hose, Moulded Elbow 90°
15.	040032SP	1	Tube, Air Intake
16.	048052SP	1	Hose, Moulded Elbow*
17.	006270SP	1	Indicator, Service
18.	048052SP	1	Hose, Moulded Elbow*
19.	006268SP	1	Clamp, Hose #32
20.	038466SP	1	Gasket, Washer, Air Filter

\* Hose must be modified to fit (cut to length)



<b>ITEM</b>	<b>PART No.</b>	<b>QTY.</b>	<b>DESCRIPTION</b>
1.	960557SP	1	Plate, Engine U-Joint Assembly
2.	008742SP	1	Yoke, Splined
3.	008743SP	2	Cross & Bearing for U-Joint Kit
4.	024169SP	1	Yoke, "H"
5.	019029SP	5	Bolt, Hex M8 x 1.25 x 25mm
6.	021029SP	5	Washer, Lock 8mm

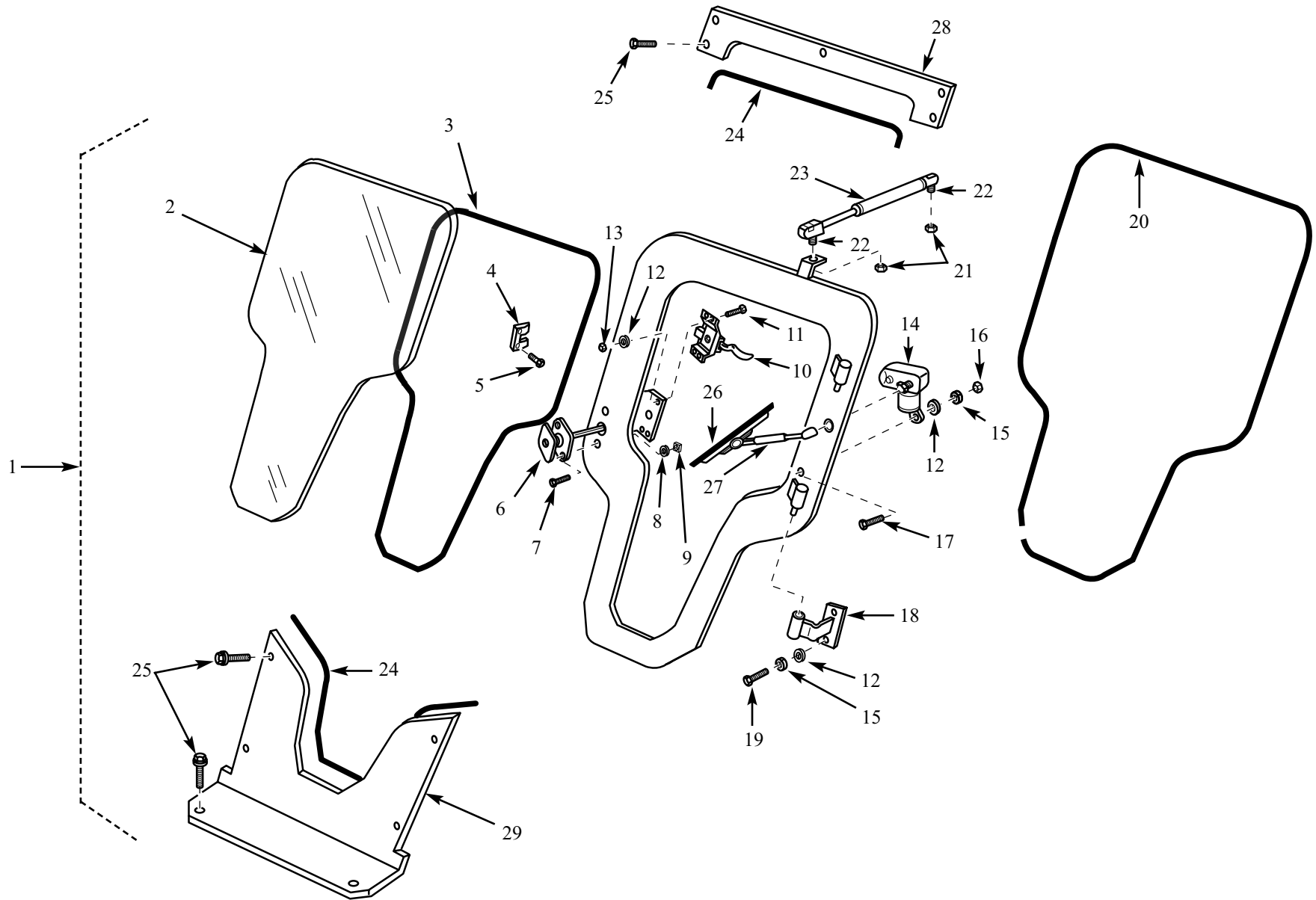


## 8. OPTIONAL EQUIPMENT

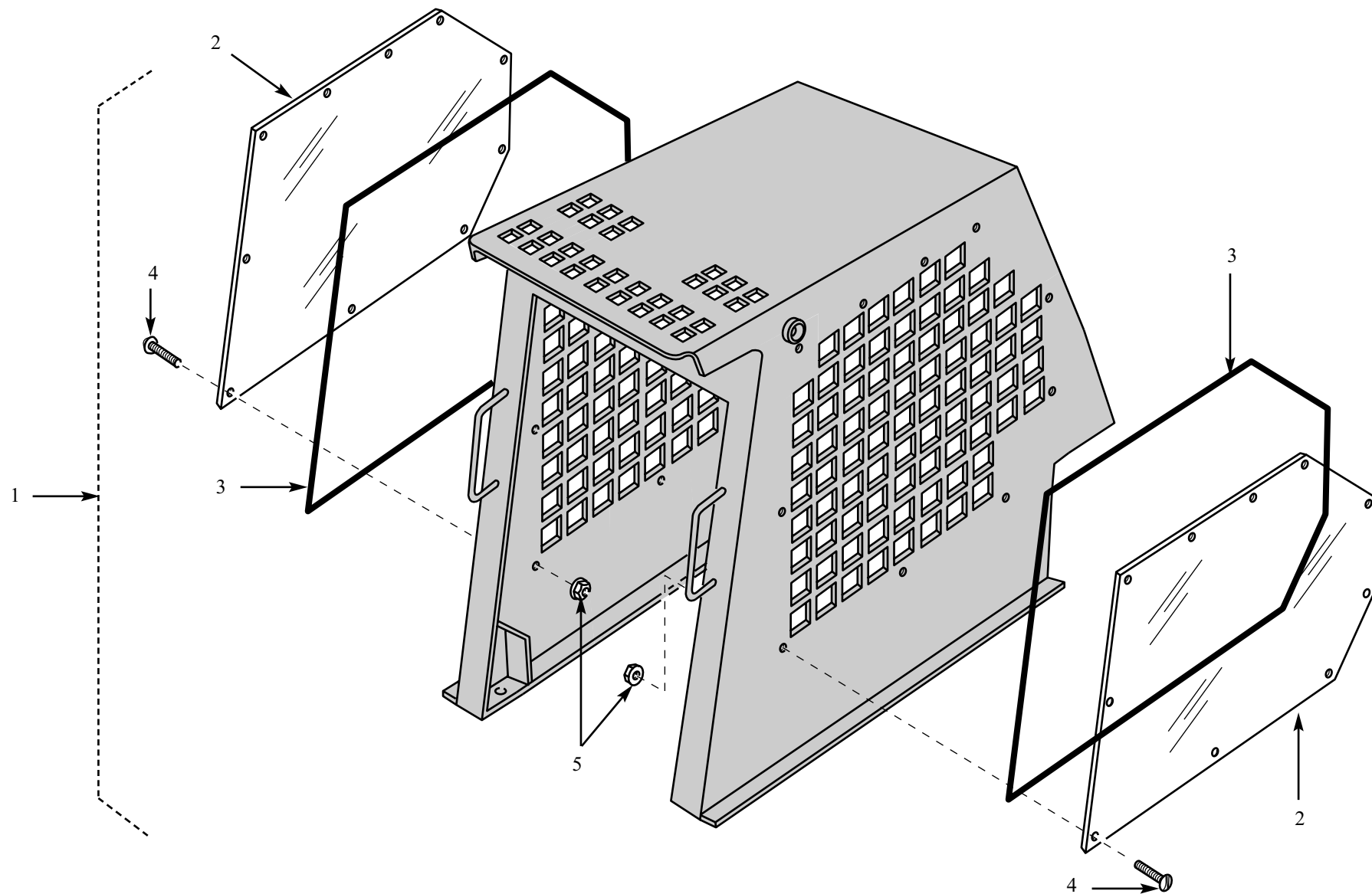
The following kits are OPTIONAL and can be added as extra equipment.

Some of the options listed below are standard on certain machines.

<b>Cab Door</b> .....	<b>8.1</b>
<b>Side Windows</b> .....	<b>8.2</b>
<b>Cab Heater</b> .....	<b>8.3</b>
<b>Top Window</b> .....	<b>8.4</b>
<b>Optional Wheel Equipment</b> .....	<b>8.5</b>
<b>Seat Belts</b> .....	<b>8.6</b>
<b>Cab Enclosure Kit</b> <i>(Only available as a factory installed option)</i> .....	<b>8.7</b>
<b>Cab Enclosure Kit, CE</b> <i>(Only available as a factory installed option)</i> .....	<b>8.8</b>
<b>Hand Control Kit</b> .....	<b>8.9</b>
<b>Cab Liner</b> .....	<b>8.10</b>
<b>Flat Face Coupling Kit</b> .....	<b>8.11</b>
<b>Adaptor Kit (Flat Face to Poppet)</b> .....	<b>8.12</b>
<b>Horn</b> .....	<b>8.13</b>
<b>Back-up Alarm</b> .....	<b>8.14</b>
<b>Front Belly Pan</b> .....	<b>8.15</b>
<b>Block Heater</b> .....	<b>8.16</b>
<b>Light Kit</b> <i>(Only available as an option on CE loaders)</i> .....	<b>8.17</b>
<b>Driving Lamp Kit</b> <i>(Only available as an option on CE loaders)</i> .....	<b>8.18</b>
<b>Powerhouse Decal Kit</b> <i>(Only available as a factory installed option)</i> .....	<b>8.19</b>
<b>United Rental Decal Kit</b> .....	<b>8.20</b>



ITEM	PART No.	QTY.	DESCRIPTION
1.	964327SP	1	<b>U-2858 - Kit, Cab Door</b>
2.	040522SP	1	Glass, Solid Tempered, Cab Door
3.	015750SP	8 ft.	Weatherstrip, Glass Setting
4.	040771SP	1	Plate, Latch Block
5.	016526SP	2	Bolt, Flat Head 1/4" x 1"
6.	953780SP	1	Handle, Cab Locking
7.	015885SP	2	Bolt, Stove 3/16" x 3/4"
8.	002811SP	2	Washer, Lock 3/16"
9.	006467SP	2	Nut, Hex 3/16"
10.	032629SP	1	Latch, Cab Door LH
11.	005170SP	4	Bolt, Hex 1/4" x 1"
12.	001650SP	9	Washer, Flat 1/4"
13.	006645SP	4	Nut, Nylok 1/4"
14.	037275SP	1	Motor, Wiper Single Speed
15.	002279SP	5	Washer, Lock 1/4"
16.	001350SP	1	Nut, Hex 1/4"
17.	002663SP	1	Bolt, Hex 1/4" x 3/4"
18.	960941SP	2	Hinge Assy, Cab Door
19.	005170SP	4	Bolt, Hex 1/4" x 1"
20.	015756SP	11 ft.	Bulb Seal
21.	016771SP	2	Nut, Nylok, Hex 5/16"
22.	043005SP	2	Stud, Ball
23.	043290SP	1	Spring, Gas 24lb.
24.	000417SP	6 ft.	Edging, Vinyl Door
25.	021907SP	15	Screw, Self Tapping
26.	015937SP	1	Blade, Wiper
27.	015936SP	1	Arm, Wiper
28.	962254SP	1	Top Filler Assy
29.	043509SP	1	Sheet, Bottom Filler



<b>ITEM</b>	<b>PART No.</b>	<b>QTY.</b>	<b>DESCRIPTION</b>
1.	964328SP	1	U-2859 - Kit, side windows
2.	040345SP	2	Lexan Side Panel
3.	015931SP	19 ft.	Weatherstrip, 5/16" x 3/4"
4.	044236SP	20	Screw, Machine 1/4" x 7/8" Pan Head
5.	044237SP	20	Nut, 1/4" Flange

<b>PART No.</b>	<b>QTY.</b>	<b>DESCRIPTION</b>
<b>964329SP</b>	<b>1</b>	<b>U-2860 - Kit, Cab Heater</b>
039960SP	1	Heater, 12 Volt
040758SP	1	Sheet, Heater Bracket
032338SP	1	Bolt, Hex 1/4" x 5/8"
001650SP	1	Washer, Flat 1/4"
961197SP	1	Wire Assy Red, Heater Live
961198SP	1	Wire Assy Black, Heater Ground
039119SP	1	Fuse, Automotive 30 Amp
037981SP	3	Tie, Cable 3 1/2" x 3/32"
006081SP	1	Bolt, Hex 5/16" x 3/4"
001191SP	1	Nut, Hex 5/16"
001870SP	1	Washer, Lock 5/16"
001651SP	1	Washer, Flat 5/16"



<b>PART No.</b>	<b>QTY.</b>	<b>DESCRIPTION</b>
<b>964124SP</b>	<b>1</b>	<b>U-2747 - Top Window</b>
018455SP	6	Washer, #14 x 5/8 Galvanized Perma-Seal
001618SP	6	Bolt, Carriage 1/4" x 3/4"
038184SP	1	Plexiglass, ROPS Top
043923SP	0.125	Silicone, Sealant 2000 Series G.E.
006645SP	6	Nut, Nylok 1/4"

# OPTIONAL WHEEL EQUIPMENT

8.5

PART No.	QTY.	DESCRIPTION	PART No.	QTY.	DESCRIPTION
<b>964125SP</b>	<b>1</b>	<b>U-2748 - Wheel &amp; Tire Assy, 5.90 x 15.00 (Factory)</b>	<b>965035SP</b>	<b>1</b>	<b>U-3155 - Kit, Tire Foam Fill, 8.50 x 15.00 (Factory)</b>
042830SP	2	Tire & Wheel Assy, 5.90 x 15.0, 5 Bolt RH	049513SP	2	Tire Assy, Foam Fill RH 8.5 x 15.00
042831SP	2	Tire & Wheel Assy, 5.90 x 15.0, 5 Bolt LH	049514SP	2	Tire Assy, Foam Fill LH 8.5 x 15.00
005832SP	20	Nut, Wheel 9/16"			
<b>964126SP</b>	<b>1</b>	<b>U-2749 - Wheel &amp; Tire Assy, 5.90 x 15.00 (Field)</b>	<b>965034SP</b>	<b>1</b>	<b>U-3154 - Tire Foam Fill, 8.5 x 15 (Field)</b>
042830SP	2	Tire & Wheel Assy, 5.90 x 15.0, 5 Bolt RH	049513SP	2	Tire Assy, Foam Fill RH 8.5 x 15.00
042831SP	2	Tire & Wheel Assy, 5.90 x 15.0, 5 Bolt LH	049514SP	2	Tire Assy, Foam Fill LH 8.5 x 15.00
<b>964326SP</b>	<b>1</b>	<b>U-2857 - Kit, Wheel &amp; Tire Assy, 8.50 x 15 (Factory)</b>	<b>964997SP</b>	<b>1</b>	<b>U-3125 - Kit, Tire, 5.5 x 15.00 (Factory)</b>
042832SP	2	Tire & Wheel Assy, 8.50 x 15.0, 5 Bolt RH	049586SP	4	Tire Assy, 5.5 x 15 w/Tube
042833SP	2	Tire & Wheel Assy, 8.50 x 15.0, 5 Bolt LH	<b>965036SP</b>	<b>1</b>	<b>U-3156 - Kit, Tire, 5.5 x 15.0 (Field)</b>
043898SP	4	Axle, Spacer	049586SP	4	Tire Assy, 5.5 x 15 w/Tube
<b>955260SP</b>	<b>1</b>	<b>U-0644 - Wheel &amp; Tire Assy, 8.50 x 15.00 (Field)</b>	<b>965270SP</b>	<b>1</b>	<b>U-3287 - Kit, Tire Assy, 5.50 x 15.00 x 4.5 Non Marking (Factory)</b>
042832SP	2	Tire & Wheel Assy, 8.50 x 15.0, 5 Bolt RH	049713SP	4	Wheel & Tire Assy, 5.50 x 15 / 4.5
042833SP	2	Tire & Wheel Assy, 8.50 x 15.0, 5 Bolt LH	<b>965271SP</b>	<b>1</b>	<b>U-3288 - Kit, Tire Assy, 5.50 x 15 x 4.5 Non Marking (Field)</b>
043898SP	4	Axle, Spacer	049713SP	4	Wheel & Tire Assy, 5.50 x 15 / 4.5
<b>964987SP</b>	<b>1</b>	<b>U-3115 - Kit, Tire Assy, Foam Fill 5.50 x 15 (Factory)</b>	<b>001904SP</b>	-	<b>Bolt, Wheel (up to S/N LB002719)</b>
049502SP	4	Tire Assy Foam Filled 5.5 x 15, 5 Bolt	<b>005832SP</b>	-	<b>Nut, Wheel (S/N LB002720 onward)</b>
<b>964986SP</b>	<b>1</b>	<b>U-3116 - Kit, Tire Assy, Foam Fill 5.50 x 15 (Field)</b>	<b>007019SP</b>	-	<b>Stem, Valve</b>
049502SP	4	Tire Assy Foam Filled 5.5 x 15, 5 Bolt			
<b>965029SP</b>	<b>1</b>	<b>U-3149 - Kit, Tire Foam Fill, 5.90 x 15.00 (Factory)</b>			
049541SP	2	Tire Assy, Foam Fill RH 5.90 x 15.00			
049542SP	2	Tire Assy, Foam Fill LH 5.90 x 15.00			
<b>965028SP</b>	<b>1</b>	<b>U-3148 - Kit, Tire Foam Fill, 5.90 x 15.00 (Field)</b>			
049541SP	2	Tire Assy, Foam Fill RH 5.90 x 15.00			
049542SP	2	Tire Assy, Foam Fill LH 5.90 x 15.00			



<b>PART No.</b>	<b>QTY.</b>	<b>DESCRIPTION</b>
<b>964330SP</b>	<b>1</b>	<b>U-2862 - Kit, 2" Seat Belt Retractable</b>
048275SP	1	Belt, Safety 2" Retractable w/ Safety Wiring
<b>963406SP</b>	<b>1</b>	<b>U-2482 - Kit, 3" Seat Belt Retractable</b>
048276SP	1	Belt, Safety 3" Retractable w/ Safety Wiring

<b>PART No.</b>	<b>QTY.</b>	<b>DESCRIPTION</b>
<b>964325SP</b>	<b>1</b>	<b>U-2856 - Kit, Cab Enclosure</b>
964327SP	1	U-2858 Kit, Cab Door Field
964328SP	1	U-2859 Kit, Side Windows
964329SP	1	U-2860 Kit, Cab Heater
964124SP	1	U-2747 Top Window
964488SP	1	U-2926 Kit, Front Belly Pan

<b>PART No.</b>	<b>QTY.</b>	<b>DESCRIPTION</b>
<b>964494SP</b>	<b>1</b>	<b>U-2856 - Kit, Cab Enclosure, CE Loader</b>
964327SP	1	U-2858 Kit, Cab Door Field
964328SP	1	U-2859 Kit, Side Windows
964329SP	1	U-2860 Kit, Cab Heater
964124SP	1	U-2747 Top Window

<b>PART No.</b>	<b>QTY.</b>	<b>DESCRIPTION</b>
<b>964355SP</b>	<b>1</b>	<b>U-2885 - Kit, Hand Control 85</b>
961084SP	1	Control Lever Assy, HC, LH
961085SP	1	Control Lever Assy, HC, RH
960729SP	1	Cover, RH Front Axle Assy
038803SP	1	Sheet, Front Axle Cover
035883SP	2	Rod End Assy, Female
017421SP	2	Bolt, Hex 1/4" x 1"
017432SP	2	Nut, Nylok 1/4"
024619SP	2	Washer, Flat 1/4"
040126SP	1	Sheet, Foot Grate
001193SP	2	Bolt, Hex 3/8" x 1"
001684SP	2	Bolt, Carriage 3/8" x 1"
007465SP	4	Nut, Nylok 3/8"
001643SP	5	Washer, Flat 3/8"
001642SP	1	Washer, Lock 3/8"
001673SP	1	Bolt, Hex 3/8" x 3/4"

<b>PART No.</b>	<b>QTY.</b>	<b>DESCRIPTION</b>
<b>964352SP</b>	<b>1</b>	<b>U-2884 - Kit, Cab Liner 85</b>
043014SP	1	Insulation, ROPS Headliner
043016SP	1	Insulation, ROPS Rear Window
044787SP	1	Insulation, Access Shield
043013SP	1	Insulation, ROPS Rear

# FLAT FACE COUPLING KIT

8.11

PART No.	QTY.	DESCRIPTION
<b>964335SP</b>	<b>1</b>	<b>U-2873 - Kit, Coupling Flat Face</b>
048592SP	1	Coupling, Quick Disconnect, Female, Flush Face
048593SP	1	Coupling, Quick Disconnect, Male, Flush Face
048594SP	1	Cap, Dust for Female Flush Face Coupling
048595SP	1	Cap, Dust for Male Flush Face Coupling

<b>PART No.</b>	<b>QTY.</b>	<b>DESCRIPTION</b>
<b>964336SP</b>	<b>1</b>	<b>U-2874 - Kit, Adaptor Flat Face to Poppet Coupling</b>
043802SP	1	Adaptor, Quick Disconnect 12 3/4 Flat Face Female to 8 1/2 ISO Male
043803SP	1	Adaptor, Quick Disconnect 12 3/4 Flat Face Male to 8 1/2 ISO Female

PART No.	QTY.	DESCRIPTION
<b>964486SP</b>	<b>1</b>	<b>U-2924 - Kit, Horn</b>
040918SP	1	Alarm (Horn), Fast Sounding
006081SP	2	Bolt, Hex 5/16" x 3/4"
001651SP	2	Washer, Flat 5/16"
001870SP	2	Washer, Lock 5/16"
001191SP	2	Nut, Hex 5/16"
039880SP	0.5 ft.	Wire, #18 Gauge Lt. Green Type SXL
039206SP	4 ft.	Wire, #18 Gauge White/Brown Type SXL
039899SP	2	Terminal, Ring #10 Stud 22-18 Gauge Wire
039901SP	1	Terminal, Ring 5/16" Stud 22-18
039127SP	1	Terminal, Pin .156 Male
039110SP	1	Tower, 2-Way Weatherpack
039109SP	2	Sleeve, Cable 18-20 AWG Weatherpack
039009SP	2	Seal, Cable 14-18 AWG Weatherpack
008615SP	1 ft.	Tube, Heat Shrink .187
003273SP	8	Tie, Cable 11 1/2" x 3/16"
000765SP	0.5 ft.	Loom, Corrugated .25 ID Black
039004SP	1	Shroud, 2-Way Weatherpack
039007SP	2	Pin, 18-20 AWG Weatherpack
039009SP	2	Seal, Cable 14-18 AWG Weatherpack
039127SP	1	Terminal, Pin .156 Male
041018SP	1	Terminal, Slide .25 Female #18-22 Gauge Fully Insulated
039206SP	5 ft.	Wire, #18 Gauge White/Brown Type SXL
041017SP	6 ft.	Wire, #18 Gauge Brown Type SXL
000765SP	6 ft.	Loom, Corrugated .25 ID Black
039122SP	1	Fuse, Automotive 10 Amp



<b>PART No.</b>	<b>QTY.</b>	<b>DESCRIPTION</b>
<b>964487SP</b>	<b>1</b>	<b>U-2925 - Kit, Back-Up Alarm</b>
051553SP	2	Switch, Backup Alarm
042187SP	1	Alarm, Back-Up
051544SP	1	Sheet, Alarm Switch Mount
965111SP	2	Arm, Activation Assembly
016771SP	2	Nut, Nylok, Hex 5/16"
001651SP	7	Washer, Flat 5/16"
039122SP	1	Fuse, Automotive 10 Amp
046669SP	1	Terminal, Connector .250 Slide
043327SP	1	Harness, Back-Up Alarm
002663SP	4	Bolt, Hex 1/4" x 3/4"
001350SP	4	Nut, Hex 1/4"
001650SP	8	Washer, Flat 1/4"
002279SP	4	Washer, Lock 1/4"

\* Do not use the Back-Up Alarm option with the Homologation Unit.

# FRONT BELLY PAN

8.15

PART No.	QTY.	DESCRIPTION
964488SP	1	U-2926 - Kit, Front Belly Pan
961199SP	1	Front Belly Pan Assy.

\* The Front Belly Pan is included in the Cab Enclosure Option U-2856.

<b>PART No.</b>	<b>QTY.</b>	<b>DESCRIPTION</b>
964489SP	1	U-2927 - Kit, Block Heater
038658SP	1	Heater, Block

PART No.	QTY.	DESCRIPTION	PART No.	QTY.	DESCRIPTION
<b>964837SP</b>	<b>1</b>	<b>U-3052 - Kit, Lights 85</b>	044182SP	1	Handle, Ergonomic w/Rocker & 2 Push Button Switches
047332SP	1	Light, Kit LH	044513SP	1	Bolt, Ergonomic Handle
047333SP	1	Light, Kit RH	001622SP	4	Bolt, Stove 3/16" x 1"
046668SP	1	Beacon, Rotating	006468SP	4	Washer, Flat 3/16"
000765SP	1 ft.	Loom, Corrugated .25 ID Black	002811SP	4	Washer, Lock 3/16"
046669SP	2	Terminal, Connector .250 Slide	006467SP	4	Nut, Hex 3/16"
046670SP	1	Light, License w/Harness	047419SP	1	Mirror, External CE
046689SP	2	Reflector, Red Reflex	027013SP	2	Washer, Lock 1/8"
046690SP	2	Reflector, Clear Reflex	047351SP	1	Sheet, Rear License
039123SP	3	Switch, Toggle SPST	048031SP	1	Plate, Mirror Bracket
038752SP	1	Switch, Backup Alarm	051544SP	1	Sheet, Alarm Switch Mount
039122SP	1	Fuse, Automotive 10 Amp	002663SP	2	Bolt, Hex 1/4" x 3/4"
043330SP	2	Sheet, Backup Alarm Spacer	001350SP	2	Nut, Hex 1/4"
017204SP	1	Decal, Slow Moving Vehicle	001650SP	2	Washer, Flat 1/4"
051399SP	2	Sheet, Light Mount	002279SP	2	Washer, Lock 1/4"
019029SP	4	Bolt, Hex M8 x 1.25 x 25mm	051986SP	2	Sheet, Cover
021029SP	4	Washer, Lock 8mm			
001643SP	4	Washer, Flat 3/8"			
046899SP	2	Sheet, Cover w/ Thomas			
031744SP	4	Screw, Hex Head, Tapping			
965112SP	1	Bar, Assy Switch Activating			
016771SP	1	Nut, Nylok, Hex 5/16"			
001651SP	4	Washer, Flat 5/16"			
001678SP	2	Bolt, Hex 5/16" x 1 1/2"			
001870SP	2	Washer, Lock 5/16"			
040722SP	2	Tube, Spacer Heater			
005897SP	2	Bolt, Hex 1/4" x 1 3/4"			
006645SP	2	Nut, Nylok 1/4"			
001650SP	2	Washer, Flat 1/4"			
046835SP	1	Sheet, SMV			
021907SP	2	Screw, Self Tapping			
043759SP	1	Tower, 4-Way Weatherpack			
039109SP	4	Sleeve, Cable 18-20 AWG Weatherpack			
039009SP	4	Seal, Cable 14-18 AWG Weatherpack			

<b>PART No.</b>	<b>QTY.</b>	<b>DESCRIPTION</b>
<b>963915SP</b>	<b>1</b>	<b>U-2700 - Kit, Lamp Driving</b>
965266SP	2	Driving Lamp Assy

# POWERHOUSE DECAL KIT

8.19

PART No.	QTY.	DESCRIPTION
<b>965033SP</b>	<b>1</b>	<b>U-3153 - 85 Powerhouse Decal Kit</b>
049412SP	2	Decal, Powerhouse PH850
049413SP	2	Decal, PH850, 6.88" x 2.5" H
049344SP	3	Decal, Powerhouse 1.375" x 6.56"

<b>PART No.</b>	<b>QTY.</b>	<b>DESCRIPTION</b>
<b>965642SP</b>	<b>1</b>	<b>U-3522 - Kit, United Rental Decals, 85</b>
052236SP	1	Decals, United Rentals 85

1. Engine oil filter ..... 018717SP
2. Engine fuel filter ..... 018685SP
3. Hydraulic oil filter ..... 040565SP
4. Air filter element ..... 038462SP
5. Engine / Hydraulic oil 10W30 .. 006470SP
6. Engine / Hydraulic oil 20W50 .. 022935SP
7. Lubriplate lithium grease ..... 035062SP
8. Silicone ..... 020901SP
9. Pipe thread sealant ..... 034288SP
10. Multi purpose grease ..... 004557SP
11. Chain tightener sealant ..... 032665SP
12. Neversieze ..... 010837SP
13. 454 Loctite ..... 042904SP
14. 480 Loctite ..... 035845SP
15. 419 Loctite ..... 035395SP
16. Gasket adhesive ..... 010683SP
17. Antifreeze premixed 50/50, 3.3L 049005SP



**NUMERICAL INDEX**

**NUMERICAL INDEX**

# NUMERICAL INDEX

PART NUMBER / SECTION	PART NUMBER / SECTION	PART NUMBER / SECTION	PART NUMBER / SECTION
000261SP .....1.1	001642SP .....2.1	001676SP .....1.4	002593SP .....4.7(C)
000407SP .....1.1	001642SP .....2.2	001676SP .....2.1	002663SP .....2.6
000417SP .....8.1	001642SP .....8.9	001676SP .....2.2	002663SP .....7.2
000698SP .....4.1	001643SP .....1.7	001678SP .....1.2	002663SP .....8.1
000765SP .....8.13	001643SP .....2.1	001678SP .....8.17	002663SP .....8.14
000765SP .....8.17	001643SP .....2.2	001684SP .....8.9	002663SP .....8.17
000846SP .....1.2	001643SP .....2.4	001686SP .....2.1	002811SP .....8.1
001191SP .....1.7	001643SP .....7.2	001686SP .....2.2	002811SP .....8.17
001191SP .....2.3	001643SP .....8.9	001870SP .....2.3	002823SP .....1.2
001191SP .....4.1	001643SP .....8.17	001870SP .....4.1	003189SP .....1.2
001191SP .....7.1	001650SP .....1.5	001870SP .....7.1	003273SP .....8.13
001191SP .....7.2	001650SP .....2.1	001870SP .....7.2	003550SP .....1.3
001191SP .....7.3	001650SP .....2.2	001870SP .....7.3	003550SP .....2.1
001191SP .....8.3	001650SP .....2.4	001870SP .....8.3	003550SP .....2.2
001191SP .....8.13	001650SP .....2.6	001870SP .....8.13	003665SP .....3.1
001193SP .....1.3	001650SP .....7.2	001870SP .....8.17	004557SP .....9
001193SP .....1.7	001650SP .....8.1	001870SP .....4.7(B)	005170SP .....2.5
001193SP .....2.1	001650SP .....8.3	001870SP .....4.7(C)	005170SP .....2.6
001193SP .....2.2	001650SP .....8.14	001898SP .....2.1	005170SP .....8.1
001193SP .....8.9	001650SP .....8.17	001898SP .....2.2	005405SP .....2.4
001194SP .....1.3	001651SP .....1.7	001898SP .....2.6	005803SP .....2.1
001194SP .....2.4	001651SP .....2.3	001904SP .....1.10	005803SP .....2.2
001350SP .....1.6	001651SP .....2.4	001904SP .....3.1	005803SP .....2.6
001350SP .....2.6	001651SP .....4.1	001904SP .....8.5	005832SP .....1.10
001350SP .....7.2	001651SP .....7.2	002010SP .....1.4	005832SP .....3.1
001350SP .....8.1	001651SP .....7.3	002010SP .....4.3	005832SP .....8.5
001350SP .....8.14	001651SP .....8.3	002010SP .....4.5	005832SP .....8.5
001350SP .....8.17	001651SP .....8.14	002279SP .....2.4	005896SP .....2.2
001387SP .....2.6	001651SP .....8.17	002279SP .....2.6	005897SP .....8.17
001561SP .....8.13	001651SP .....4.7(B)	002279SP .....7.2	005914SP .....3.1
001618SP .....1.5	001651SP .....4.7(C)	002279SP .....8.1	005968SP .....3.1
001618SP .....8.4	001672SP .....2.1	002279SP .....8.14	006081SP .....7.3
001622SP .....8.17	001672SP .....2.2	002279SP .....8.17	006081SP .....8.3
001630SP .....2.2	001673SP .....2.1	002338SP .....2.6	006081SP .....8.13
001630SP .....2.3	001673SP .....2.2	002580SP .....2.4	006268SP .....7.3
001630SP .....2.6	001673SP .....8.9	002580SP .....7.1	006270SP .....7.3
001642SP .....1.7	001676SP .....1.3	002593SP .....4.7(B)	006272SP .....7.3

PART NUMBER / SECTION	PART NUMBER / SECTION	PART NUMBER / SECTION	PART NUMBER / SECTION
006318SP .....3.1	008613SP .....1.5	015750SP .....8.1	018724SP .....6.1
006447SP .....1.3	008613SP .....1.7	015756SP .....8.1	018767SP .....4.7(A)
006448SP .....2.6	008613SP .....2.5	015885SP .....8.1	018859SP .....3.1
006467SP .....8.1	008615SP .....8.13	015931SP .....8.2	019029SP .....7.4
006467SP .....8.17	008675SP .....3.1	015936SP .....8.1	019029SP .....8.17
006468SP .....8.17	008742SP .....7.4	015937SP .....8.1	019232SP .....5.1
006470SP .....9	008743SP .....7.4	016526SP .....8.1	019235SP .....4.1
006645SP .....1.5	008744SP .....7.2	016771SP .....1.2	019238SP .....5.1
006645SP .....2.4	008767SP .....4.8	016771SP .....1.3	019240SP .....4.2
006645SP .....2.5	008786SP .....4.8	016771SP .....1.4	019240SP .....4.4
006645SP .....2.6	008789SP .....5.2	016771SP .....2.1	019240SP .....4.6
006645SP .....8.1	008797SP .....5.2	016771SP .....2.2	019240SP .....5.1
006645SP .....8.4	008798SP .....5.2	016771SP .....2.4	019248SP .....4.1
006645SP .....8.17	008799SP .....5.2	016771SP .....8.1	019572SP .....7.2
006645SP .....4.7(A)	008843SP .....5.2	016771SP .....8.14	019605SP .....6.2
006645SP .....4.7(B)	008844SP .....5.2	016771SP .....8.17	019765SP .....7.1
006645SP .....4.7(C)	008846SP .....5.2	016989SP .....1.2	019949SP .....1.1
006645SP .....4.7(D)	008847SP .....5.2	017144SP .....4.1	020182SP .....5.1
006645SP .....4.7(E)	008851SP .....5.2	017204SP .....8.17	020200SP .....3.1
006717SP .....1.3	009421SP .....1.3	017421SP .....2.2	020235SP .....1.5
006717SP .....1.4	010683SP .....9	017421SP .....8.9	020860SP .....1.2
007019SP .....1.10	010684SP .....1.3	017432SP .....2.2	020860SP .....1.4
007019SP .....8.5	010837SP .....9	017432SP .....8.9	020901SP .....9
007078SP .....1.4	013125SP .....7.1	017516SP .....2.6	021004SP .....2.1
007416SP .....2.4	014797SP .....1.1	017669SP .....2.4	021004SP .....2.2
007465SP .....1.3	014860SP .....2.1	017670SP .....7.2	021028SP .....7.1
007465SP .....1.7	014860SP .....2.2	018318SP .....1.1	021028SP .....7.2
007465SP .....2.1	014866SP .....4.1	018455SP .....1.5	021029SP .....2.4
007465SP .....2.2	014866SP .....5.1	018455SP .....8.4	021029SP .....7.4
007465SP .....2.6	014867SP .....4.1	018467SP .....7.2	021029SP .....8.17
007465SP .....8.9	014898SP .....4.1	018469SP .....7.2	021121SP .....4.2
007723SP .....2.4	015103SP .....4.4	018683SP .....6.2	021121SP .....4.4
008153SP .....1.3	015103SP .....4.6	018685SP .....1.1	021121SP .....4.6
008154SP .....1.3	015521SP .....7.3	018685SP .....7.2	021126SP .....5.1
008280SP .....2.1	015646SP .....1.5	018685SP .....9	021174SP .....2.1
008280SP .....2.2	015743SP .....1.3	018717SP .....7.2	021174SP .....2.2
008613SP .....1.2	015750SP .....1.5	018717SP .....9	021174SP .....2.6

# NUMERICAL INDEX

PART NUMBER / SECTION	PART NUMBER / SECTION	PART NUMBER / SECTION	PART NUMBER / SECTION
021324SP .....4.4	023922SP .....2.6	029971SP .....6.2	035884SP .....2.3
021554SP .....2.4	024169SP .....7.4	029994SP .....4.3	035885SP .....1.9
021907SP .....8.1	024264SP .....1.1	029994SP .....4.5	035886SP .....1.9
021907SP .....8.17	024599SP .....2.2	029995SP .....4.3	035935SP .....1.9
022109SP .....5.3	024603SP .....2.1	029995SP .....4.5	036487SP .....2.2
022110SP .....5.3	024603SP .....2.2	029998SP .....4.5	036598SP .....1.9
022111SP .....5.3	024619SP .....2.2	029999SP .....4.5	036733SP .....4.1
022115SP .....5.3	024619SP .....8.9	030044SP .....2.2	036841SP .....1.9
022119SP .....5.3	024980SP .....1.2	030044SP .....2.3	037010SP .....1.9
022120SP .....5.3	024982SP .....5.3	030501SP .....2.1	037059SP .....1.9
022121SP .....5.3	024983SP .....5.3	030501SP .....2.2	037060SP .....1.9
022381SP .....4.1	024984SP .....5.3	030549SP .....4.1	037104SP .....7.2
022935SP .....9	024986SP .....5.3	031291SP .....1.9	037104SP .....6.1
022968SP .....7.1	024987SP .....5.3	031744SP .....1.6	037206SP .....4.1
023096SP .....2.4	024989SP .....5.3	031744SP .....1.7	037206SP .....6.1
023194SP .....1.1	024990SP .....5.3	031744SP .....2.1	037275SP .....8.1
023264SP .....2.1	024991SP .....5.3	031744SP .....2.2	037638SP .....5.2
023264SP .....2.2	024992SP .....5.3	031744SP .....8.17	037640SP .....5.2
023301SP .....1.9	024993SP .....5.3	032275SP .....1.9	037641SP .....5.2
023307SP .....1.9	024994SP .....5.3	032338SP .....8.3	037642SP .....5.2
023308SP .....1.9	024995SP .....5.3	032478SP .....4.1	037643SP .....5.2
023309SP .....1.9	024996SP .....5.3	032629SP .....8.1	037644SP .....5.2
023310SP .....1.9	024997SP .....5.3	032665SP .....9	037645SP .....5.2
023312SP .....1.9	025011SP .....5.1	033269SP .....2.6	037646SP .....5.2
023321SP .....1.9	025344SP .....5.3	033499SP .....2.3	037647SP .....5.2
023324SP .....1.9	025347SP .....5.3	034288SP .....9	037798SP .....2.6
023325SP .....1.9	025460SP .....1.9	034473SP .....5.2	037853SP .....2.1
023326SP .....1.9	025499SP .....2.1	034903SP .....4.1	037853SP .....2.2
023371SP .....2.4	025845SP .....2.6	034919SP .....4.1	037854SP .....2.1
023385SP .....1.5	026737SP .....1.1	035062SP .....9	037854SP .....2.2
023385SP .....2.6	027013SP .....8.17	035395SP .....9	037912SP .....1.4
023388SP .....5.1	028892SP .....7.2	035426SP .....1.2	037962SP .....3.1
023530SP .....4.3	028982SP .....2.4	035763SP .....2.2	037963SP .....3.1
023530SP .....4.5	029065SP .....2.6	035845SP .....9	037977SP .....3.1
023861SP .....1.1	029066SP .....2.6	035883SP .....2.2	037981SP .....8.3
023901SP .....2.1	029885SP .....4.5	035883SP .....2.4	037991SP .....2.6
023901SP .....2.2	029971SP .....1.5	035883SP .....8.9	037999SP .....2.3

PART NUMBER / SECTION	PART NUMBER / SECTION	PART NUMBER / SECTION	PART NUMBER / SECTION
038043SP .....1.9	038462SP .....7.3	038761SP .....1.6	039122SP .....8.17
038052SP .....2.3	038462SP .....9	038803SP .....2.2	039122SP .....6.1
038085SP .....2.1	038463SP .....7.3	038803SP .....2.3	039123SP .....1.6
038085SP .....2.2	038464SP .....7.3	038803SP .....3.1	039123SP .....6.2
038134SP .....1.7	038465SP .....7.3	038803SP .....8.9	039123SP .....8.17
038143SP .....2.1	038466SP .....7.3	038807SP .....2.1	039124SP .....1.6
038143SP .....2.2	038516SP .....6.1	038807SP .....2.2	039124SP .....6.2
038184SP .....1.5	038517SP .....2.4	038807SP .....2.4	039126SP .....1.6
038184SP .....8.4	038525SP .....2.1	038810SP .....2.6	039127SP .....8.13
038188SP .....1.4	038525SP .....2.2	038814SP .....1.4	039141SP .....5.2
038235SP .....2.1	038551SP .....2.2	038826SP .....6.1	039142SP .....5.2
038235SP .....2.2	038551SP .....2.3	038833SP .....7.1	039143SP .....5.2
038255SP .....4.4	038560SP .....1.5	038834SP .....2.5	039147SP .....5.2
038256SP .....4.4	038577SP .....1.6	038870SP .....6.1	039148SP .....5.2
038257SP .....4.4	038577SP .....6.2	038978SP .....7.3	039149SP .....5.2
038258SP .....4.4	038600SP .....1.7	039004SP .....8.13	039150SP .....5.2
038259SP .....4.6	038614SP .....6.1	039007SP .....8.13	039151SP .....5.2
038260SP .....4.6	038614SP .....4.7(A)	039009SP .....8.13	039152SP .....5.2
038270SP .....4.2	038614SP .....4.7(B)	039009SP .....8.17	039153SP .....5.2
038322SP .....1.7	038614SP .....4.7(C)	039021SP .....1.5	039154SP .....5.2
038337SP .....7.3	038615SP .....4.7(A)	039027SP .....1.8	039155SP .....5.2
038338SP .....5.3	038615SP .....4.7(B)	039028SP .....1.8	039156SP .....5.2
038343SP .....2.6	038615SP .....4.7(C)	039029SP .....1.8	039157SP .....5.2
038345SP .....3.1	038658SP .....7.2	039030SP .....1.8	039161SP .....5.2
038346SP .....3.1	038658SP .....8.16	039031SP .....1.8	039162SP .....7.2
038347SP .....2.6	038659SP .....7.1	039032SP .....1.8	039164SP .....7.2
038348SP .....7.2	038671SP .....6.2	039033SP .....1.8	039167SP .....7.2
038358SP .....4.3	038699SP .....4.4	039043SP .....5.1	039168SP .....7.2
038369SP .....7.3	038707SP .....4.1	039069SP .....7.1	039172SP .....5.3
038389SP .....4.2	038717SP .....4.4	039109SP .....8.13	039175SP .....5.2
038390SP .....4.2	038718SP .....4.2	039109SP .....8.17	039184SP .....6.1
038390SP .....4.4	038719SP .....4.2	039110SP .....8.13	039185SP .....6.1
038390SP .....4.6	038742SP .....4.6	039119SP .....8.3	039186SP .....6.1
038393SP .....5.1	038745SP .....4.3	039119SP .....6.1	039189SP .....1.9
038394SP .....7.3	038746SP .....4.3	039121SP .....6.1	039191SP .....1.9
038420SP .....7.2	038751SP .....2.3	039122SP .....8.13	039192SP .....1.9
038441SP .....4.1	038752SP .....8.17	039122SP .....8.14	039196SP .....1.9

# NUMERICAL INDEX

PART NUMBER / SECTION	PART NUMBER / SECTION	PART NUMBER / SECTION	PART NUMBER / SECTION
039206SP .....8.13	040127SP .....4.7(C)	040144SP .....4.7(B)	041040SP .....2.5
039209SP .....7.2	040128SP .....4.7(A)	040144SP .....4.7(C)	041042SP .....2.5
039420SP .....1.1	040128SP .....4.7(B)	040146SP .....6.1	041045SP .....1.9
039432SP .....7.2	040128SP .....4.7(C)	040146SP .....4.7(C)	041064SP .....1.9
039490SP .....7.2	040129SP .....4.7(A)	040150SP .....4.7(C)	041065SP .....1.9
039496SP .....7.2	040129SP .....4.7(B)	040155SP .....4.7(B)	041066SP .....1.9
039497SP .....7.2	040129SP .....4.7(C)	040155SP .....4.7(C)	041123SP .....1.9
039498SP .....7.2	040130SP .....4.7(A)	040157SP .....4.7(B)	041178SP .....3.1
039499SP .....7.2	040130SP .....4.7(B)	040158SP .....4.7(B)	041215SP .....2.6
039540SP .....6.1	040130SP .....4.7(C)	040160SP .....1.7	041625SP .....1.1
039546SP .....1.6	040131SP .....4.7(A)	040186SP .....1.6	041625SP .....6.1
039738SP .....6.1	040131SP .....4.7(B)	040187SP .....1.6	041738SP .....1.9
039754SP .....4.1	040131SP .....4.7(C)	040267SP .....7.2	041778SP .....1.9
039754SP .....5.1	040132SP .....4.7(A)	040268SP .....1.8	042107SP .....1.9
039757SP .....4.6	040132SP .....4.7(B)	040333SP .....4.1	042187SP .....8.14
039758SP .....4.6	040132SP .....4.7(C)	040345SP .....8.2	042187SP .....6.1
039759SP .....4.2	040133SP .....4.7(A)	040522SP .....8.1	042572SP .....1.1
039813SP .....1.8	040133SP .....4.7(B)	040564SP .....4.1	042574SP .....1.1
039840SP .....6.1	040133SP .....4.7(C)	040565SP .....4.1	042830SP .....1.10
039845SP .....7.2	040134SP .....4.7(A)	040565SP .....9	042830SP .....8.5
039853SP .....7.2	040134SP .....4.7(B)	040571SP .....1.8	042831SP .....1.10
039865SP .....6.2	040134SP .....4.7(C)	040572SP .....1.8	042831SP .....8.5
039868SP .....2.4	040135SP .....4.7(A)	040582SP .....2.6	042832SP .....8.5
039880SP .....8.13	040135SP .....4.7(B)	040582SP .....6.1	042833SP .....8.5
039899SP .....8.13	040135SP .....4.7(C)	040583SP .....2.6	042904SP .....9
039901SP .....8.13	040137SP .....4.7(A)	040583SP .....6.1	042931SP .....1.7
039950SP .....6.1	040138SP .....4.7(A)	040722SP .....8.17	043005SP .....8.1
039960SP .....8.3	040138SP .....4.7(B)	040758SP .....8.3	043006SP .....1.4
039965SP .....6.1	040138SP .....4.7(C)	040771SP .....8.1	043013SP .....8.10
039984SP .....2.1	040139SP .....4.7(A)	040918SP .....6.2	043013SP .....1.8
039984SP .....2.2	040139SP .....4.7(B)	040918SP .....8.13	043014SP .....8.10
040032SP .....7.3	040139SP .....4.7(C)	040921SP .....1.1	043014SP .....1.8
040101SP .....7.2	040140SP .....4.7(A)	040922SP .....1.1	043016SP .....8.10
040126SP .....1.7	040140SP .....4.7(B)	040970SP .....1.9	043016SP .....1.8
040126SP .....8.9	040140SP .....4.7(C)	040973SP .....4.4	043019SP .....1.4
040127SP .....4.7(A)	040143SP .....4.7(B)	041017SP .....8.13	043190SP .....5.1
040127SP .....4.7(B)	040143SP .....4.7(C)	041018SP .....8.13	043290SP .....8.1

PART NUMBER / SECTION	PART NUMBER / SECTION	PART NUMBER / SECTION	PART NUMBER / SECTION
043312SP .....1.6	044513SP .....8.17	047986SP .....1.9	049502SP .....8.5
043327SP .....8.14	044615SP .....1.9	048031SP .....8.17	049513SP .....8.5
043330SP .....8.17	044702SP .....2.4	048052SP .....7.3	049514SP .....8.5
043444SP .....4.3	044703SP .....2.4	048275SP .....1.7	049541SP .....8.5
043444SP .....4.5	044704SP .....2.4	048275SP .....8.6	049542SP .....8.5
043509SP .....8.1	044705SP .....2.4	048276SP .....1.7	049586SP .....8.5
043558SP .....4.1	044787SP .....8.10	048276SP .....8.6	049611SP .....3.1
043759SP .....8.17	044787SP .....1.8	048592SP .....4.6	049713SP .....8.5
043776SP .....1.9	045461SP .....4.7(A)	048592SP .....8.11	049790SP .....1.9
043802SP .....8.12	045461SP .....4.7(B)	048593SP .....4.6	049791SP .....1.9
043803SP .....8.12	045461SP .....4.7(C)	048593SP .....8.11	049793SP .....7.2
043849SP .....7.2	045461SP .....4.7(D)	048594SP .....4.6	049808SP .....3.1
043898SP .....8.5	045461SP .....4.7(E)	048594SP .....8.11	049809SP .....3.1
043901SP .....4.2	046457SP .....3.1	048595SP .....4.6	051399SP .....8.17
043901SP .....4.4	046458SP .....4.1	048595SP .....8.11	051544SP .....8.14
043901SP .....4.6	046668SP .....8.17	048816SP .....4.7(C)	051544SP .....8.17
043923SP .....1.5	046669SP .....8.14	048816SP .....4.7(E)	051553SP .....8.14
043923SP .....8.4	046669SP .....8.17	048817SP .....4.7(A)	051553SP .....6.1
044048SP .....5.2	046670SP .....8.17	048817SP .....4.7(B)	051986SP .....8.17
044073SP .....1.4	046671SP .....1.6	048817SP .....4.7(D)	052073SP .....4.7(D)
044075SP .....1.3	046671SP .....6.2	049005SP .....9	052074SP .....4.7(D)
044075SP .....1.4	046689SP .....8.17	049068SP .....1.6	052074SP .....4.7(E)
044077SP .....1.4	046690SP .....8.17	049068SP .....6.2	052075SP .....4.7(D)
044078SP .....1.4	046835SP .....8.17	049083SP .....4.7(D)	052075SP .....4.7(E)
044181SP .....2.1	046899SP .....8.17	049083SP .....4.7(E)	052076SP .....4.7(D)
044181SP .....2.2	047332SP .....8.17	049190SP .....1.9	052076SP .....4.7(E)
044182SP .....2.1	047333SP .....8.17	049191SP .....1.9	052077SP .....4.7(E)
044182SP .....2.2	047351SP .....8.17	049192SP .....1.9	052078SP .....4.7(D)
044182SP .....8.17	047419SP .....8.17	049193SP .....1.9	052078SP .....4.7(E)
044182SP .....6.1	047422SP .....1.7	049194SP .....1.9	052079SP .....4.7(D)
044192SP .....1.6	047468SP .....1.5	049195SP .....1.9	052079SP .....4.7(E)
044236SP .....8.2	047468SP .....6.2	049196SP .....1.9	052080SP .....4.7(D)
044237SP .....8.2	047469SP .....1.5	049273SP .....1.9	052080SP .....4.7(E)
044289SP .....6.1	047469SP .....6.2	049283SP .....7.1	052083SP .....4.7(D)
044357SP .....3.1	047470SP .....1.5	049344SP .....8.19	052083SP .....4.7(E)
044358SP .....3.1	047861SP .....6.2	049412SP .....8.19	052236SP .....8.20
044491SP .....3.1	047952SP .....1.2	049413SP .....8.19	052483SP .....4.7(D)

# NUMERICAL INDEX

PART NUMBER / SECTION	PART NUMBER / SECTION	PART NUMBER / SECTION	PART NUMBER / SECTION
052483SP .....4.7(E)	960463SP .....2.3	961197SP.....8.3	964328SP .....8.8
052700SP .....4.7(D)	960470SP .....2.2	961198SP.....8.3	964329SP .....8.3
052701SP .....4.7(D)	960472SP .....2.5	961199SP.....1.7	964329SP .....8.7
052702SP .....4.7(D)	960496SP .....1.7	961199SP.....8.15	964329SP .....8.8
052702SP .....4.7(E)	960497SP .....2.5	961212SP .....2.6	964330SP .....1.7
052703SP .....4.7(D)	960498SP .....2.5	961260SP .....2.1	964330SP .....8.6
052703SP .....4.7(E)	960510SP .....2.2	961260SP .....2.2	964330SP .....6.1
052704SP .....4.7(E)	960547SP .....4.1	961307SP .....2.6	964335SP.....8.11
052705SP .....4.7(D)	960547SP .....5.1	961372SP .....1.7	964336SP .....8.12
052705SP .....4.7(E)	960548SP .....5.1	961372SP .....6.1	964352SP .....8.10
052706SP .....4.7(D)	960550SP .....4.1	962254SP .....8.1	964355SP .....8.9
052706SP .....4.7(E)	960550SP .....5.1	962453SP .....4.2	964486SP .....8.13
052707SP .....4.7(D)	960551SP .....5.1	962722SP .....4.1	964487SP .....8.14
052707SP .....4.7(E)	960552SP .....5.1	962722SP .....5.1	964488SP .....8.7
052708SP .....4.7(D)	960553SP .....5.1	962723SP .....5.1	964488SP .....8.15
052708SP .....4.7(E)	960554SP .....4.4	962724SP .....5.1	964489SP .....8.16
951078SP .....4.8	960557SP .....7.4	962852SP .....2.1	964494SP .....8.8
951403SP .....1.3	960571SP .....2.4	962853SP .....2.1	964612SP .....1.6
951404SP .....1.3	960655SP .....2.1	962866SP .....2.2	964666SP .....3.1
951405SP .....1.3	960655SP .....2.2	962867SP .....2.2	964668SP .....3.1
951408SP .....1.3	960656SP .....2.1	962956SP .....4.1	964837SP .....8.17
951550SP .....1.10	960656SP .....2.2	963406SP .....1.7	964986SP .....8.5
953780SP .....8.1	960659SP .....4.1	963406SP .....8.6	964987SP .....8.5
953823SP .....1.1	960724SP .....2.3	963406SP .....6.1	964997SP .....8.5
955260SP .....8.5	960729SP .....2.3	963915SP .....8.18	965028SP .....8.5
955571SP .....5.1	960729SP .....3.1	964124SP .....8.4	965029SP .....8.5
958471SP .....4.4	960729SP .....8.9	964124SP .....8.7	965033SP .....8.19
958471SP .....4.6	960735SP .....1.2	964124SP .....8.8	965034SP .....8.5
959073SP .....2.1	960737SP .....7.1	964125SP .....8.5	965035SP .....8.5
959073SP .....2.2	960739SP .....7.1	964126SP .....8.5	965036SP .....8.5
960426SP .....2.3	960757SP .....4.1	964325SP .....8.7	965111SP.....8.14
960426SP .....3.1	960760SP .....4.2	964326SP .....8.5	965112SP.....8.17
960444SP .....2.6	960941SP .....8.1	964327SP .....8.1	965221SP .....1.6
960459SP .....2.3	961008SP .....7.2	964327SP .....8.7	965221SP .....6.2
960460SP .....2.3	961009SP .....7.2	964327SP .....8.8	965266SP .....8.18
960460SP .....3.1	961084SP .....8.9	964328SP .....8.2	965270SP .....8.5
960461SP .....2.3	961085SP .....8.9	964328SP .....8.7	965271SP .....8.5



PART NUMBER / SECTION	PART NUMBER / SECTION
-----------------------	-----------------------

965484SP .....5.1	U-3149.....8.5
965642SP .....8.20	U-3153.....8.19
965788SP .....1.3	U-3154.....8.5
960965SP .....1.2	U-3155.....8.5
960968SP .....1.5	U-3156.....8.5
962411SP.....1.4	U-3287.....8.5
965238SP.....4.7(A)	U-3288.....8.5
965238SP .....4.7(B)	U-3522.....8.20
965238SP .....4.7(C)	U-817.....1.3
965238SP.....4.7(D)	
965238SP .....4.7(E)	
U-0644.....8.5	
U-2482.....8.6	
U-2700.....8.18	
U-2747.....8.4	
U-2748.....8.5	
U-2749.....8.5	
U-2856.....8.7	
U-2856.....8.8	
U-2857.....8.5	
U-2858.....8.1	
U-2859.....8.2	
U-2860.....8.3	
U-2862.....8.6	
U-2873.....8.11	
U-2874.....8.12	
U-2884.....8.10	
U-2885.....8.9	
U-2924.....8.13	
U-2925.....8.14	
U-2926.....8.15	
U-2927.....8.16	
U-3052.....8.17	
U-3115.....8.5	
U-3116.....8.5	
U-3125.....8.5	
U-3148.....8.5	